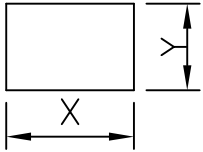
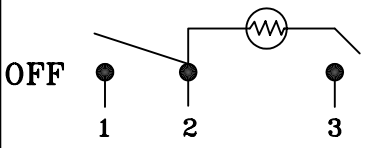
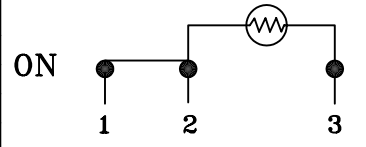
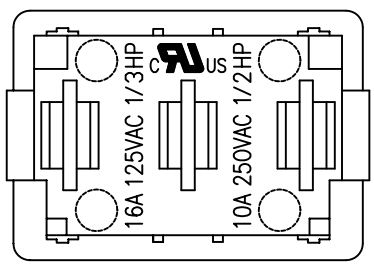
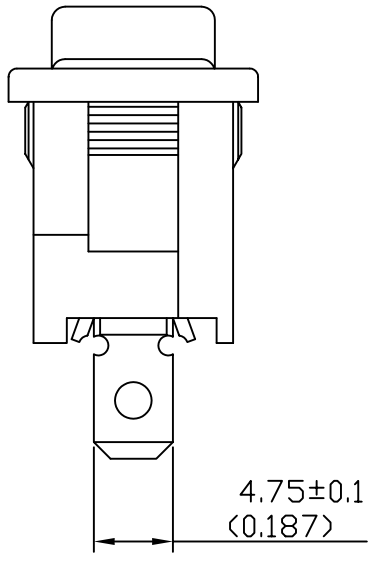
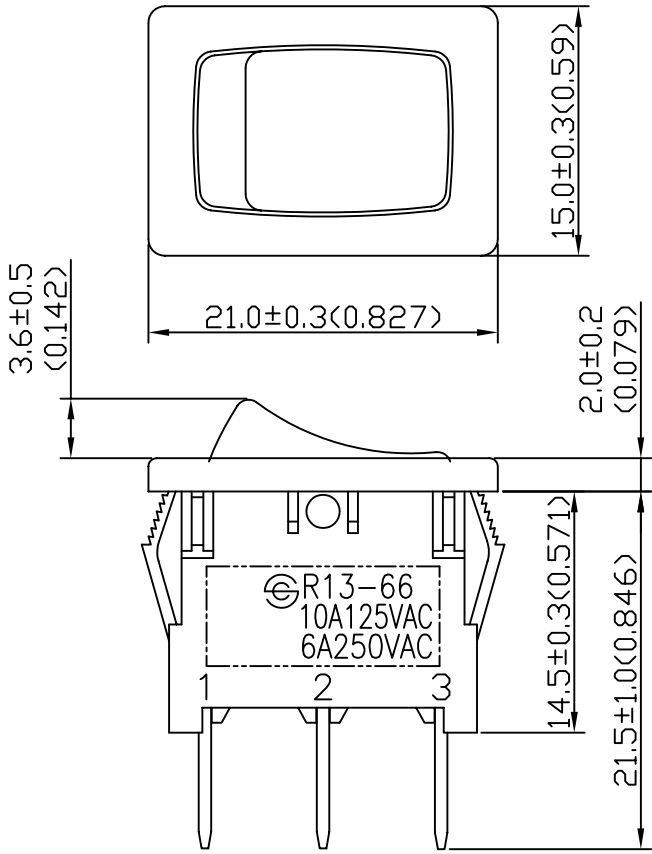


| Rating | 10A 12VDC | Mount Hole | Circuit Structure | | | | | | | | | | | | |
|---------------------|-----------------------------|--|---|---|---|-------------|----------|----------|----------|----------|----------|-------|----------|----------|---|
| Contact R | 50m ohm Max. | | | | | | | | | | | | | | |
| Insulation R | DC 500V 100M ohm Min. |  |  | | | | | | | | | | | | |
| Dielectric Strength | AC 1500V 1 minute | | | | | | | | | | | | | | |
| Circuit | 3P SPST ON-OFF(Illuminated) | | | | | | | | | | | | | | |
| | | <table border="1"> <thead> <tr> <th>Thickness</th> <th>X</th> <th>Y</th> </tr> </thead> <tbody> <tr> <td>0.75...1.25</td> <td>19.2-0.1</td> <td>13.2+0.1</td> </tr> <tr> <td>1.25...2</td> <td>19.4-0.1</td> <td>13.2+0.1</td> </tr> <tr> <td>2...3</td> <td>19.8-0.1</td> <td>13.2+0.1</td> </tr> </tbody> </table> | Thickness | X | Y | 0.75...1.25 | 19.2-0.1 | 13.2+0.1 | 1.25...2 | 19.4-0.1 | 13.2+0.1 | 2...3 | 19.8-0.1 | 13.2+0.1 |  |
| Thickness | X | Y | | | | | | | | | | | | | |
| 0.75...1.25 | 19.2-0.1 | 13.2+0.1 | | | | | | | | | | | | | |
| 1.25...2 | 19.4-0.1 | 13.2+0.1 | | | | | | | | | | | | | |
| 2...3 | 19.8-0.1 | 13.2+0.1 | | | | | | | | | | | | | |



| | | | | | | |
|------|-----------|--------------|---------|------|---|---|
| Unit | mm (inch) | DEL CITY P/N | 7500012 | REV. | 1 |  |
|------|-----------|--------------|---------|------|---|---|