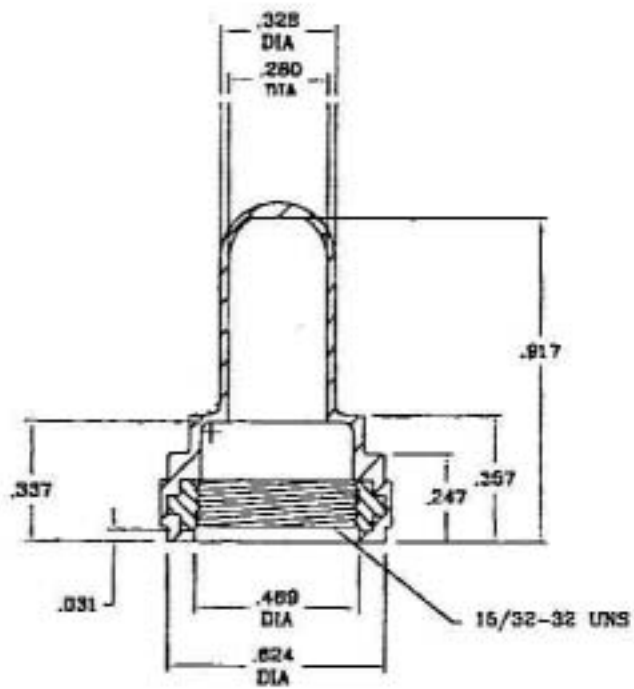
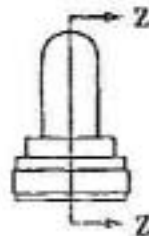




E60272 ~~9A~~ N-71803



SECTION Z-Z
SCALE 2:1

NOTES:

1. MATERIAL: SILICONE
2. HEX THREADS TO BE FREE OF ANY SILICONE RESIDUE.
3. BOOT ARE TO HAVE DATE CODE ON THE SMALLEST BAG.
4. TOLERANCE: ± 0.3 UNLESS OTHERWISE SPECIFIED.

Unit	mm (inch)	DEL CITY P/N	7900001	REV.	1	
------	--------------	--------------	---------	------	---	--