

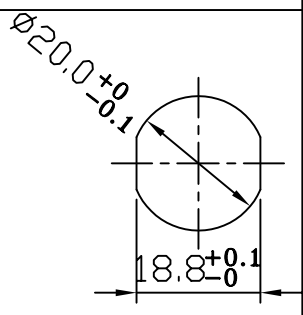
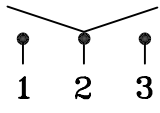
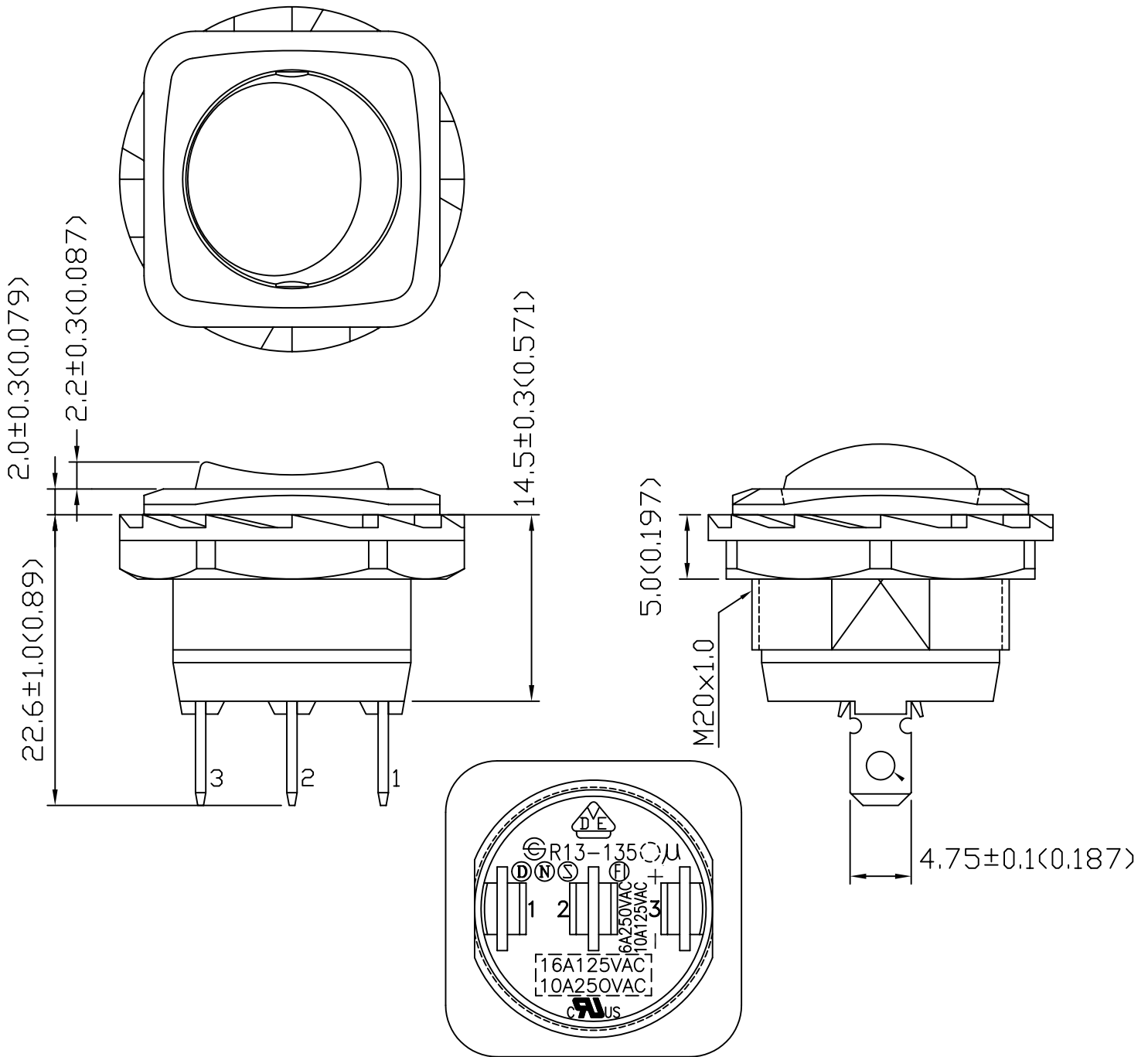



Rating	10A 125V,6A 250V AC 	Mount Hole	Circuit Structure
	16A 125VAC,10A 250VAC 		
Contact R	50m ohm Max.		
Insulation R	DC 500V 100M ohm Min.		
Dielectric Strength	AC 1500V 1 minute		
Operation Temperature	-20°C~85°C , -4°F~185°F		
Circuit	3P SPDT ON-OFF-ON		



Unit	mm (inch)	DEL CITY P/N	7900071	REV.	1	
------	--------------	--------------	---------	------	---	---------------------------------------------------------------------------------------