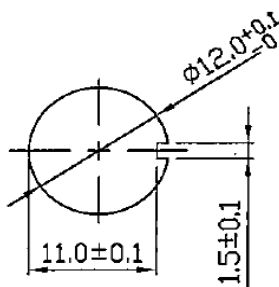
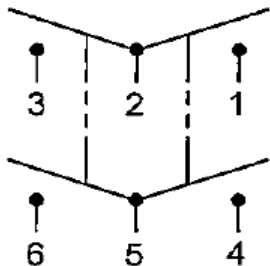
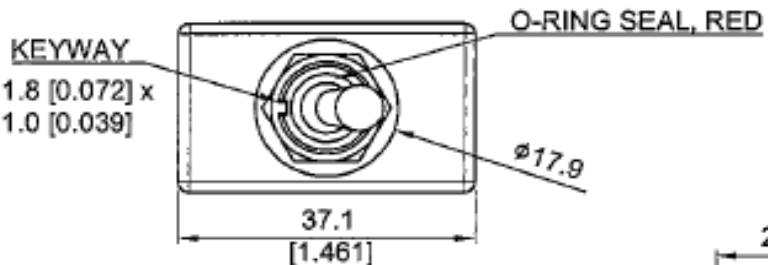
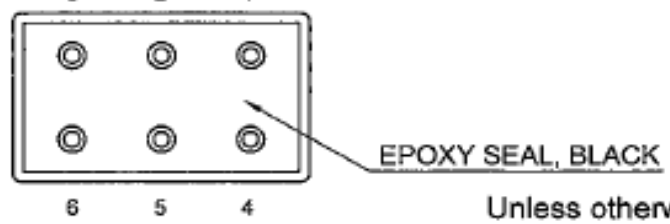
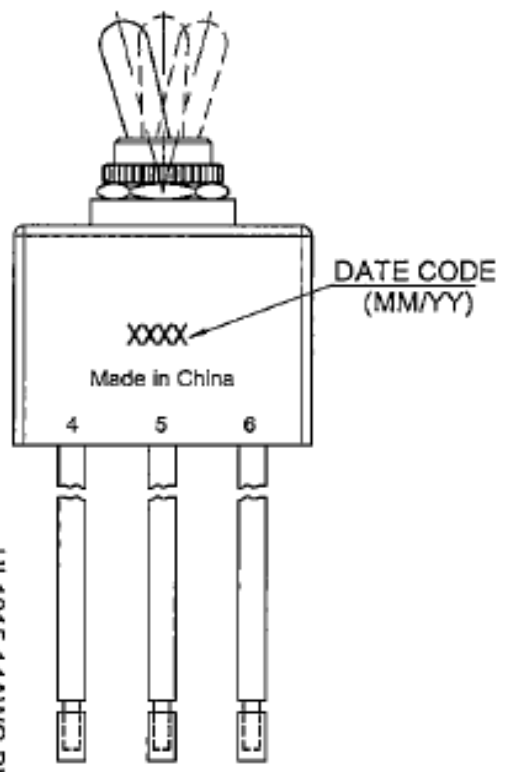
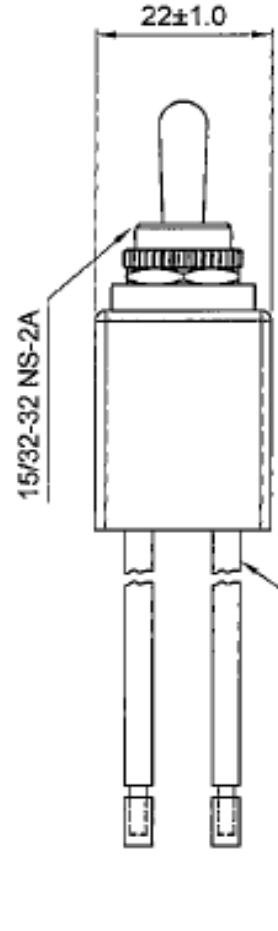
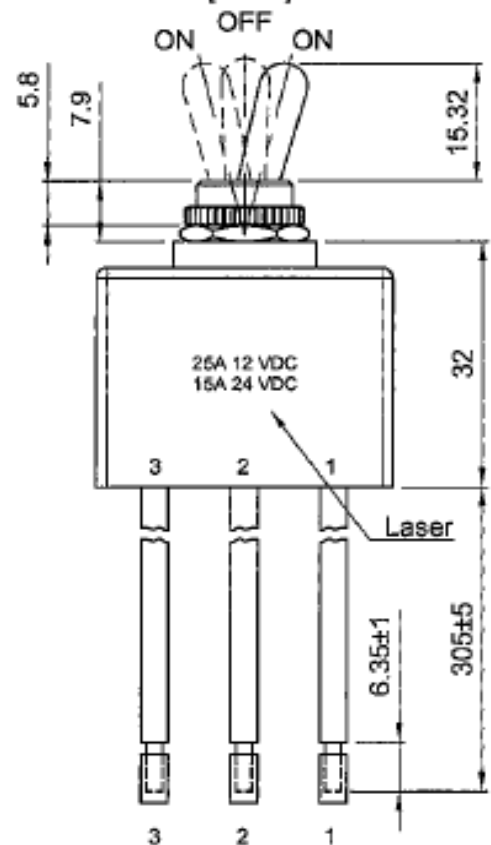


Rating	25A @ 12V DC 15A @ 24V DC	Mounting Hole 	Circuit Diagram 
Contact R	50m ohm Max.		
Insulation R	DC 500V 100m ohm Min.		
Dielectric Strength	AC 1500V 1 minute		
Circuit	6P DPDT ON-OFF-ON		
Operation Temperature	-40°F to 185°F (-40°C to 85°C)		



Materials:

1. Frame: PBT+15%GF, Black
Contacts: Copper Alloy+AgSnO₂InO₃
Toggle: Brass, nickel plated.
Bushing: Brass, nickel plated.
Hex nut: Brass, nickel plated.
Knurl nut: Brass, nickel plated.
2. Dust proof and water proof to fit IP-67



for T0909 only

Unless otherwise specified all tolerances to be ±0.3.

Uncontrolled copy

Unit	mm (inch)	Approval	PART NO:	73336	REV.	1	
------	-----------	----------	----------	-------	------	---	---