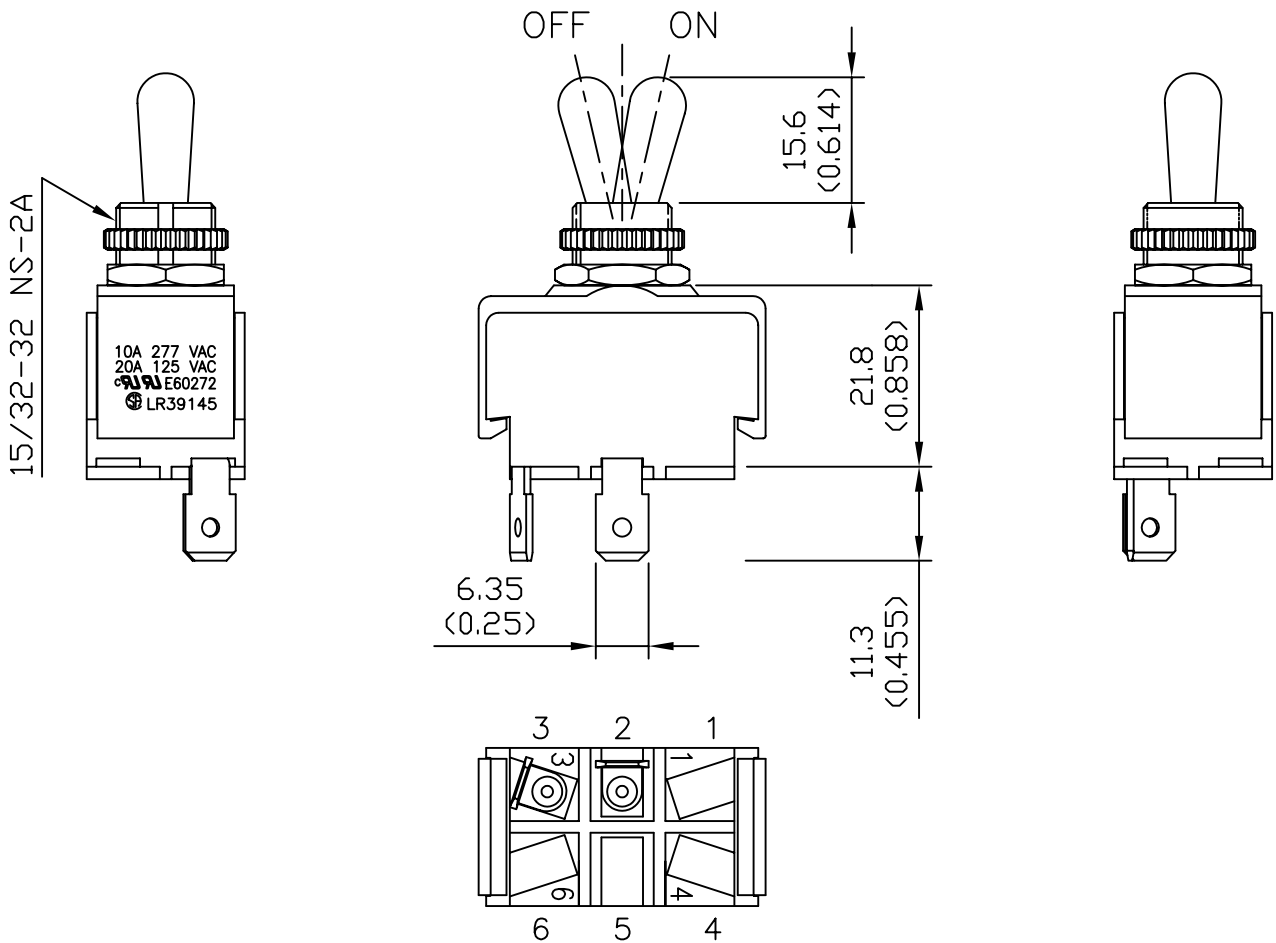
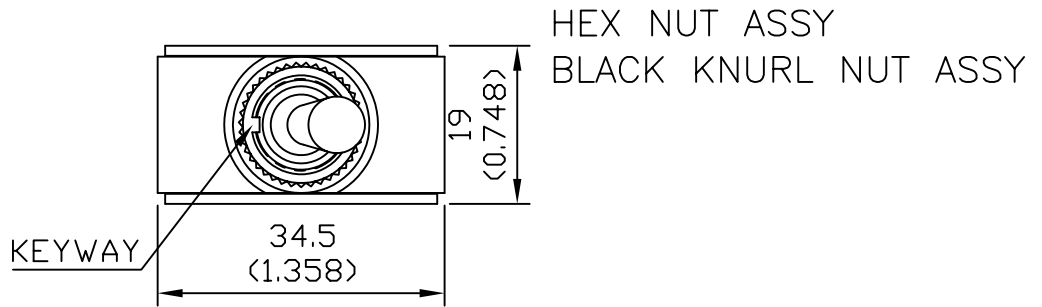


Rating	20A 125V AC, 10A 277V AC	Mount Hole	Circuit Structure
Contact R	50m ohm Max.		
Insulation R	DC 500V 100M ohm Min.		
Dielectric Strength	AC 1500V 1 minute		
Circuit	2P SPST OFF-ON		
Operation Force	700g±200g		



Unit	mm (inch)	DEL CITY P/N	7000012	REV.	1	
-------------	-----------	---------------------	---------	-------------	---	--