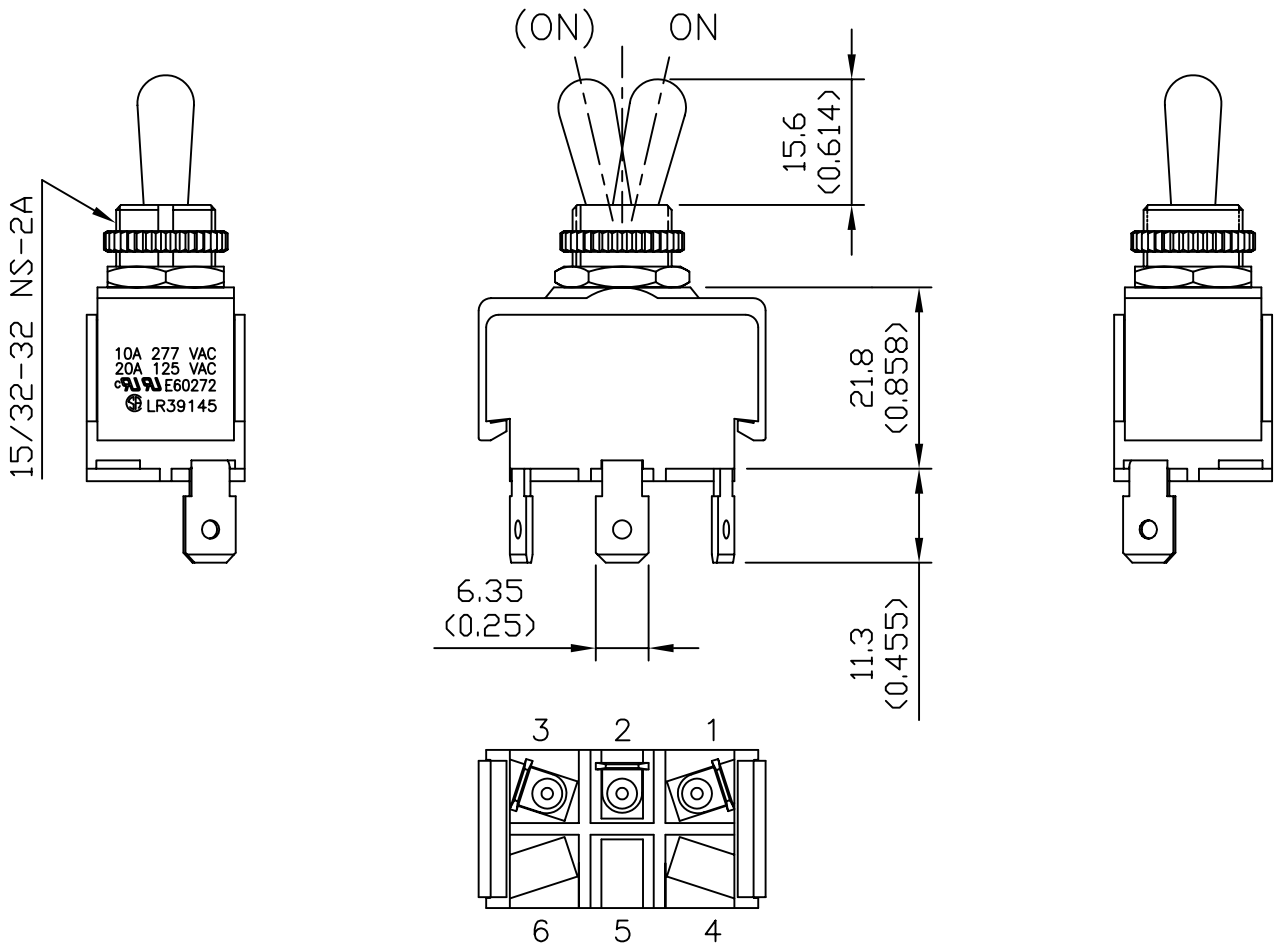
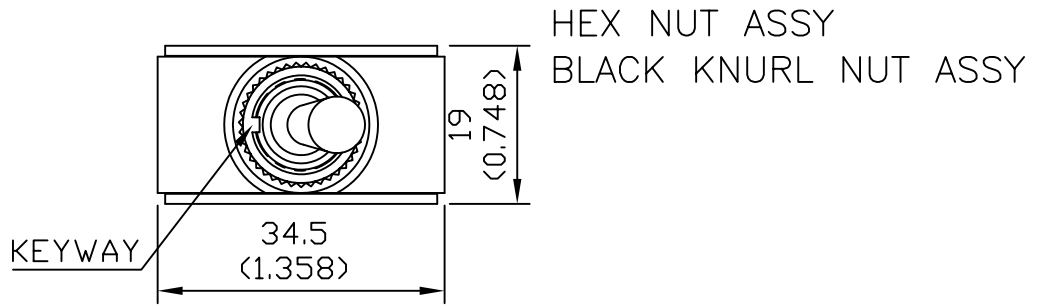


Rating	20A 125V AC, 10A 277V AC	Mount Hole	Circuit Structure
Contact R	50m ohm Max.		
Insulation R	DC 500V 100M ohm Min.		
Dielectric Strength	AC 1500V 1 minute		
Circuit	3P SPDT (ON)-ON		
Operation Force	700g±200g		



Unit	mm (inch)	DEL CITY P/N	7000019	REV.	1	
-------------	--------------	---------------------	---------	-------------	---	--