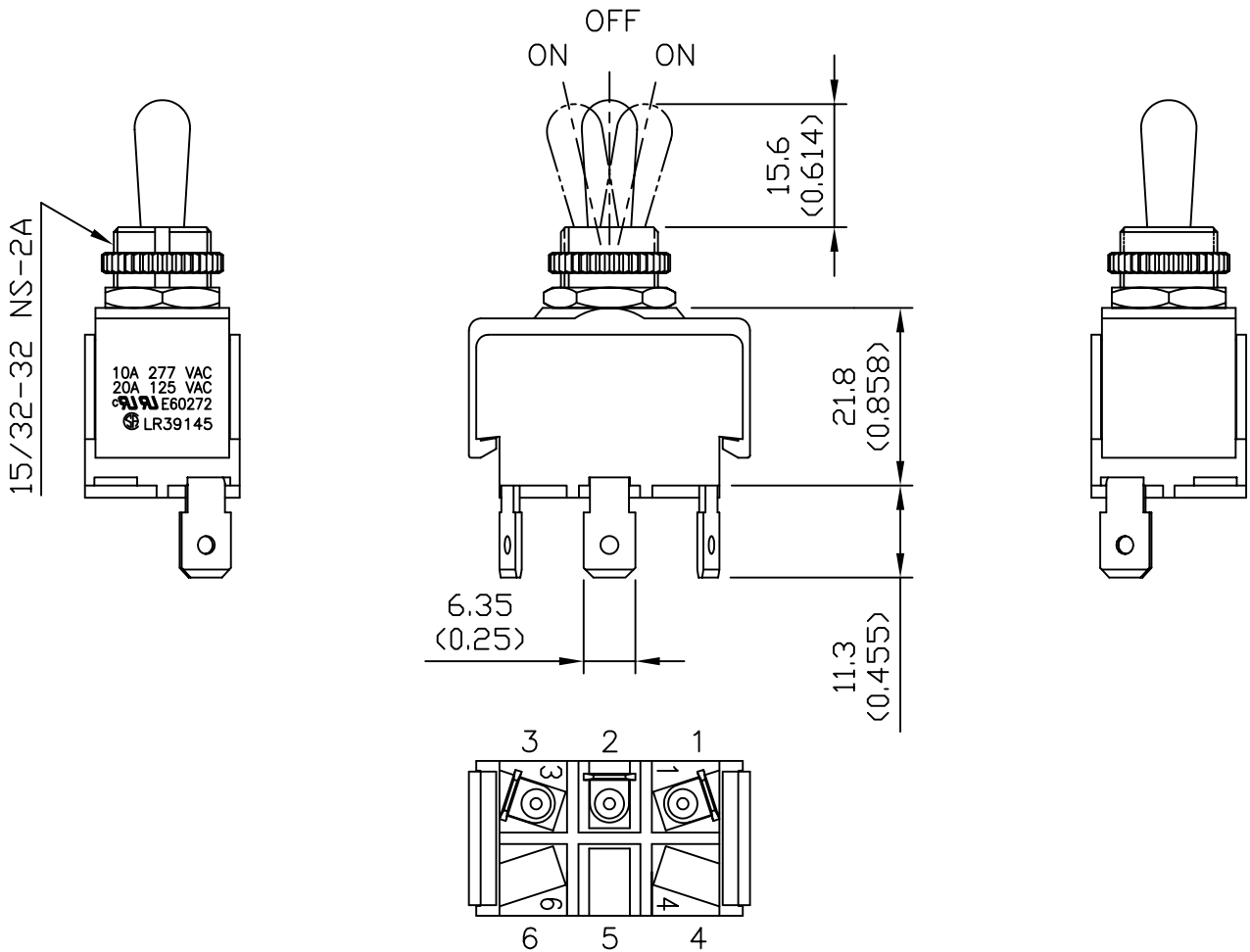
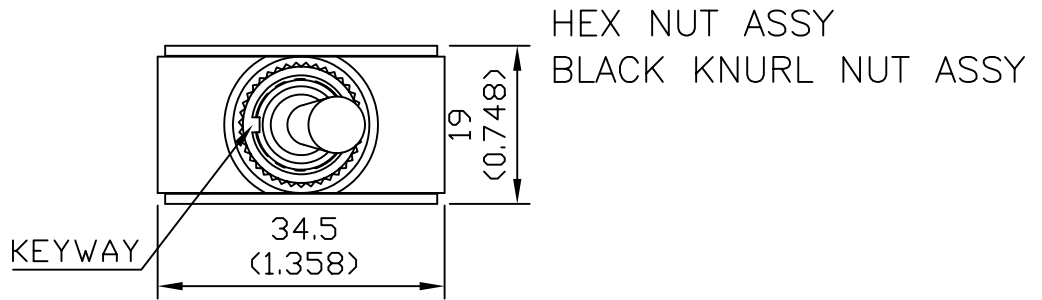


<b>Rating</b>	20A 125V AC, 10A 277V AC	<b>Mount Hole</b>	<b>Circuit Structure</b>
<b>Contact R</b>	50m ohm Max.		
<b>Insulation R</b>	DC 500V 100M ohm Min.		
<b>Dielectric Strength</b>	AC 1500V 1 minute		
<b>Circuit</b>	3P SPDT ON-OFF-ON		
<b>Operation Force</b>	OFF-ON: 1000g±300g ON-OFF: 500g±150g		



<b>Unit</b>	mm (inch)	<b>DEL CITY P/N</b>	7000024	<b>REV.</b>	1	
-------------	--------------	---------------------	---------	-------------	---	--