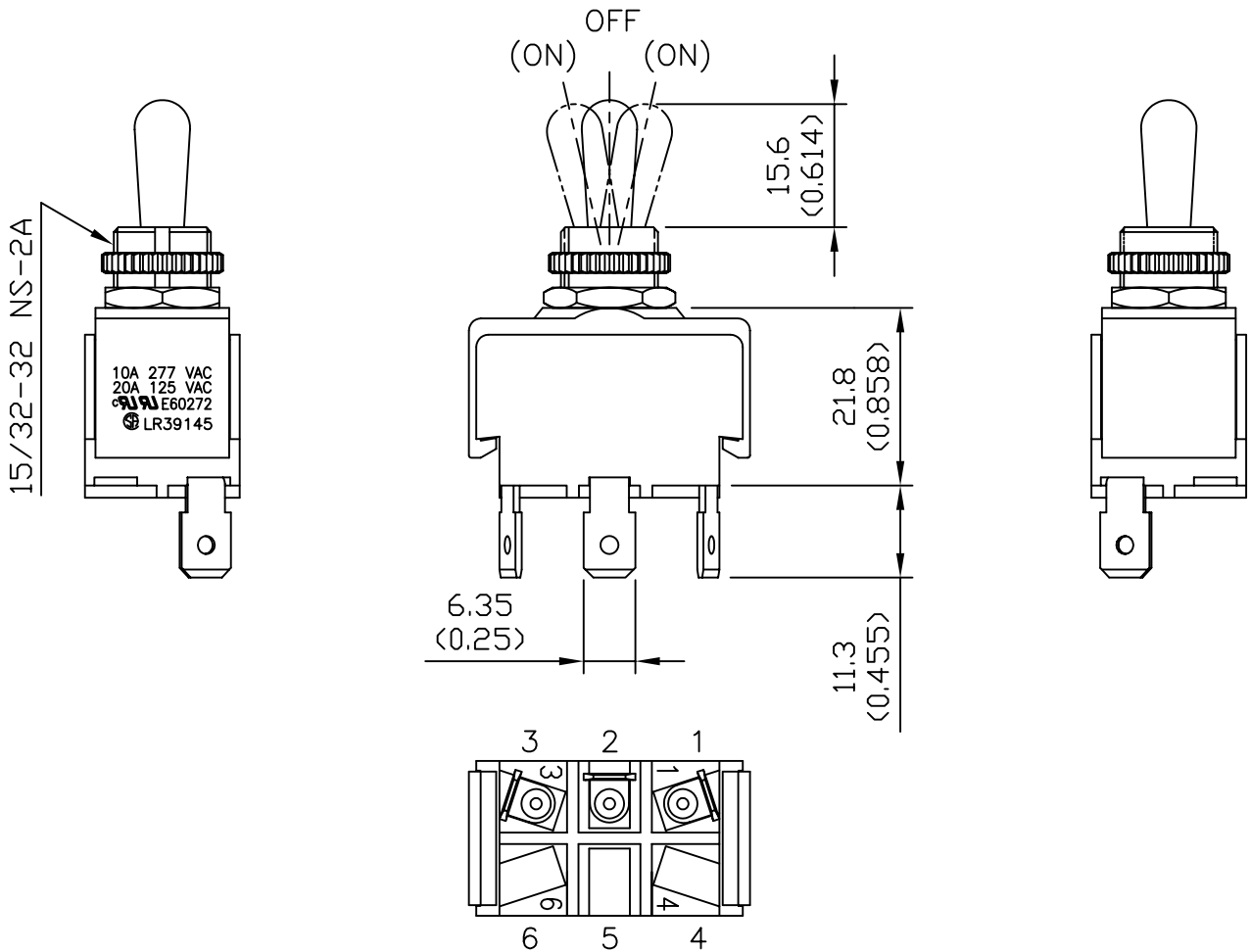
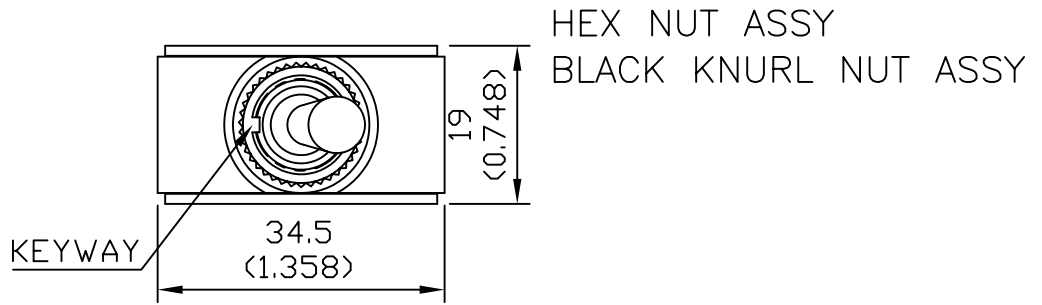


Rating	20A 125V AC, 10A 277V AC	Mount Hole	Circuit Structure
Contact R	50m ohm Max.		
Insulation R	DC 500V 100M ohm Min.		
Dielectric Strength	AC 1500V 1 minute		
Circuit	3P SPDT (ON)-OFF-(ON)		
Operation Force	800g±300g		



Unit	mm (inch)	DEL CITY P/N 7000026	REV. 1	
-------------	--------------	-----------------------------	---------------	--