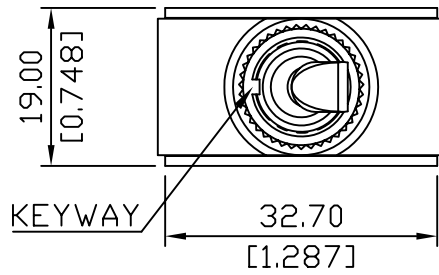
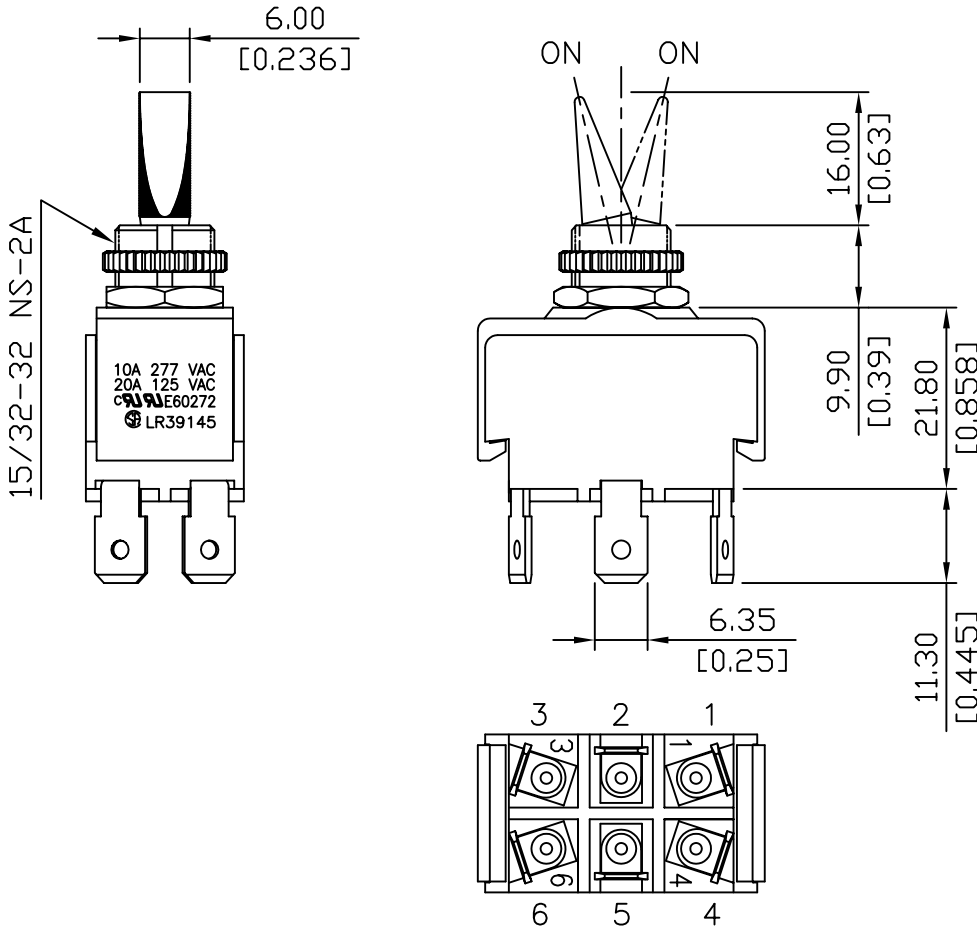


Rating	10A 125 VAC, 20A 277 VAC	Mount Hole	Circuit Structure
Contact R	50m ohm Max.		
Insulation R	DC 500V 100M ohm Min.		
Dielectric Strength	AC 1500V 1 minute		
Circuit	6P DPDT ON-ON		
Operation Force	1100g±300g		



HEX NUT ASSY
BLACK KNURL NUT ASSY



C3\GB\7000054

	Date	Name	Descriptions				
Drawing	Check	Approval	DEL CITY P/N	7000054	SCI No.		
			Customer No.	2-80054--1W	Model No.	R13-422B1B-01-HK	
03/20'03			Unit	mm (inch)			