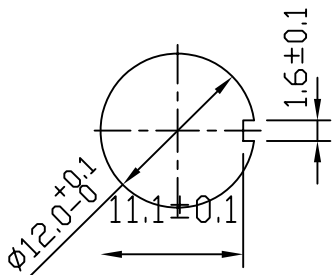
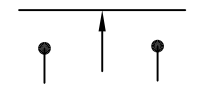
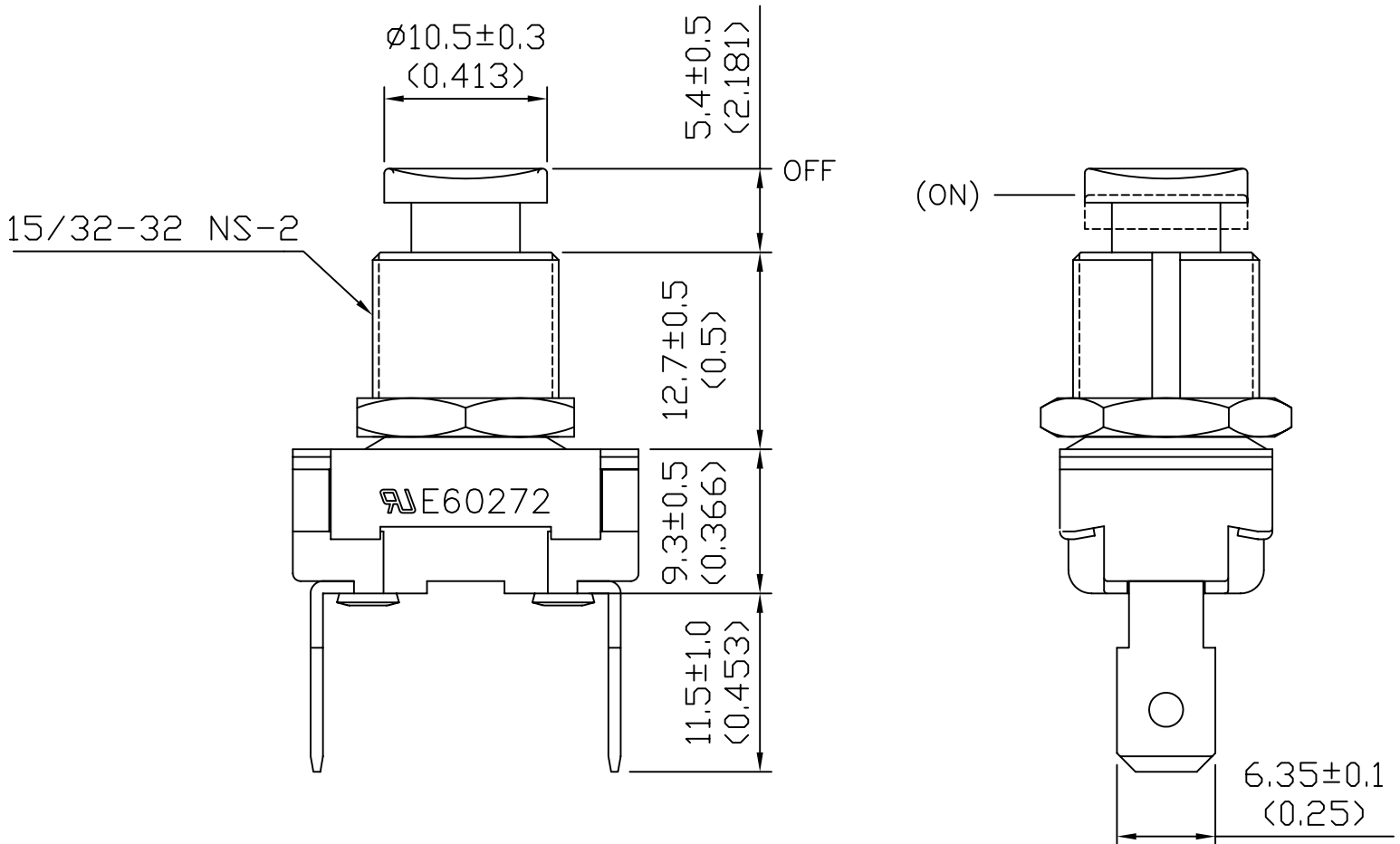
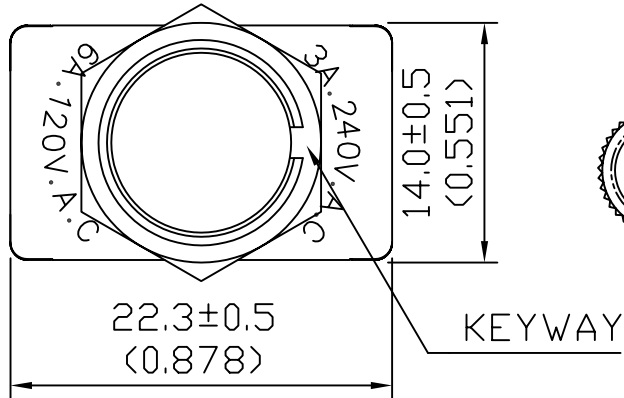



Rating	6A 120V AC, 3A 240V AC	Mount Hole 	Circuit Structure 
Contact R	50m ohm Max.		
Insulation R	DC 500V 100M ohm Min.		
Dielectric Strength	AC 1500V 1 minute		
Circuit	2P SPST (ON)-OFF		
BUTTON: BLACK			



Unit	mm (inch)	DEL CITY P/N	7100002	REV.	1	
-------------	--------------	---------------------	---------	-------------	---	---