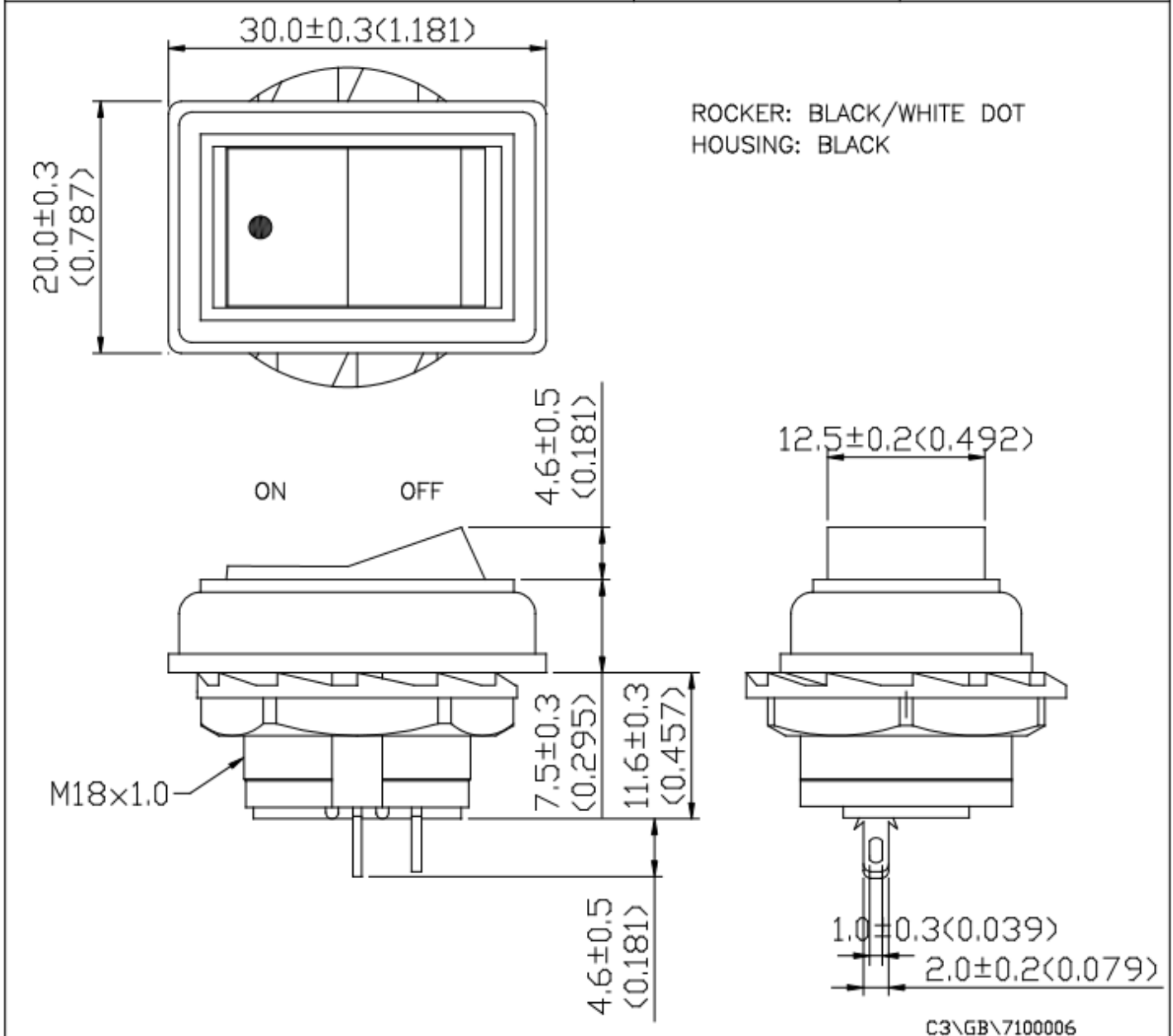


Rating	6A 125V,3A 250V AC		
Contact R	50m ohm Max.		
Insulation R	DC 500V 100M ohm Min.		
Dielectric Strength	AC 1000V 1 minute		
Circuit	2P SPST ON-OFF		



C3\GB\7100006

Drawing	Check	Approval	DEL CITY P/N	7100006	SCI No.	
			Customer No.		Model No.	R13-49A-05
			Unit	mm inch		