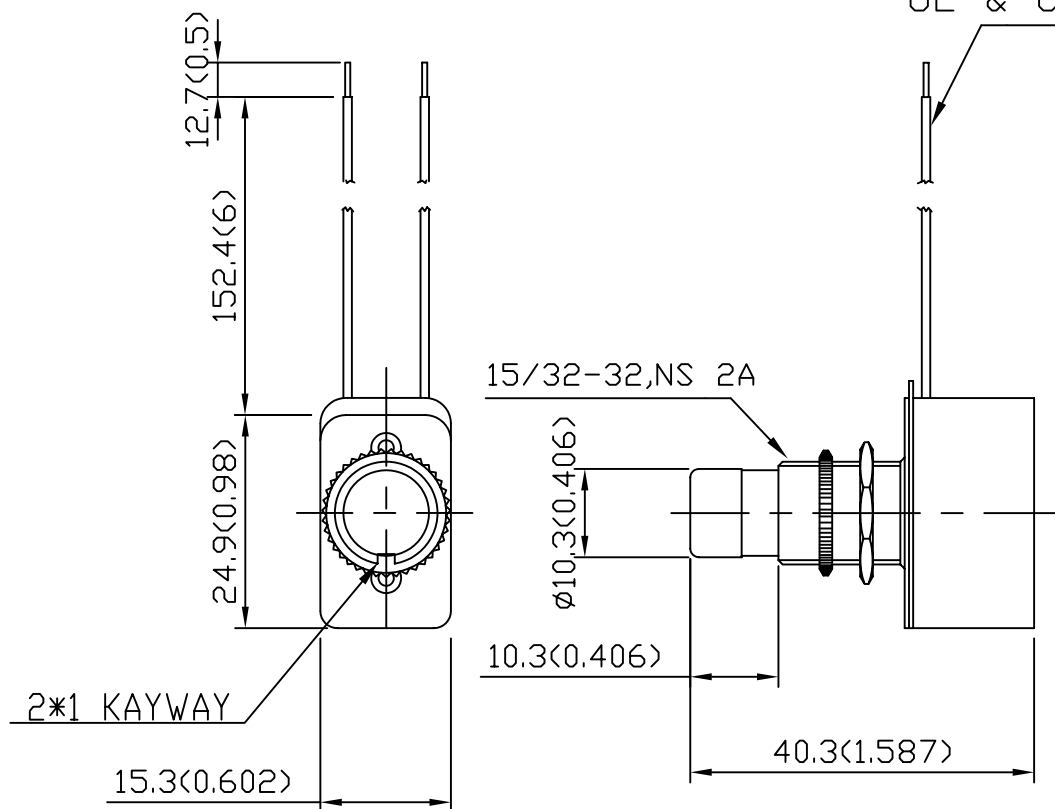


Rating	4A 250V,8A 125V 10A 125V.A.C.,1/3HP 125V.A.C.	Mount Hole 	Circuit Structure	
Contact R	50m ohm Max.		OFF	
Insulation R	DC 500V 100M ohm Min.			ON
Dielectric Strength	AC 1500V 1 minute			
Circuit	2P SPST ON-OFF			
BUTTON: NYLON/BLACK				

NOTES:

1. RECOGNIZED.

STRANDED BARE COPPER
WIRE 18 AWG 105°C
UL & CSA. AWM #1015



KNURL NUT ASSY
HEX NUT ASSY

RATED CAPACITY:
4 AMP,250V
8 AMP,125V
10 AMP,125V.A.C
1/3 HP,125V.A.C.

ON-OFF MAINTAINED CONTACT
SINGLE POLE,SINGLE THROW

Unit	mm (inch)	DEL CITY P/N	7100010	REV.	1	
-------------	--------------	---------------------	---------	-------------	---	--