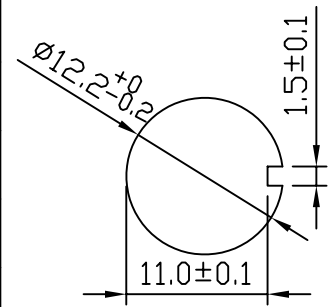
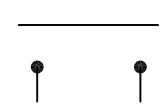
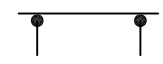
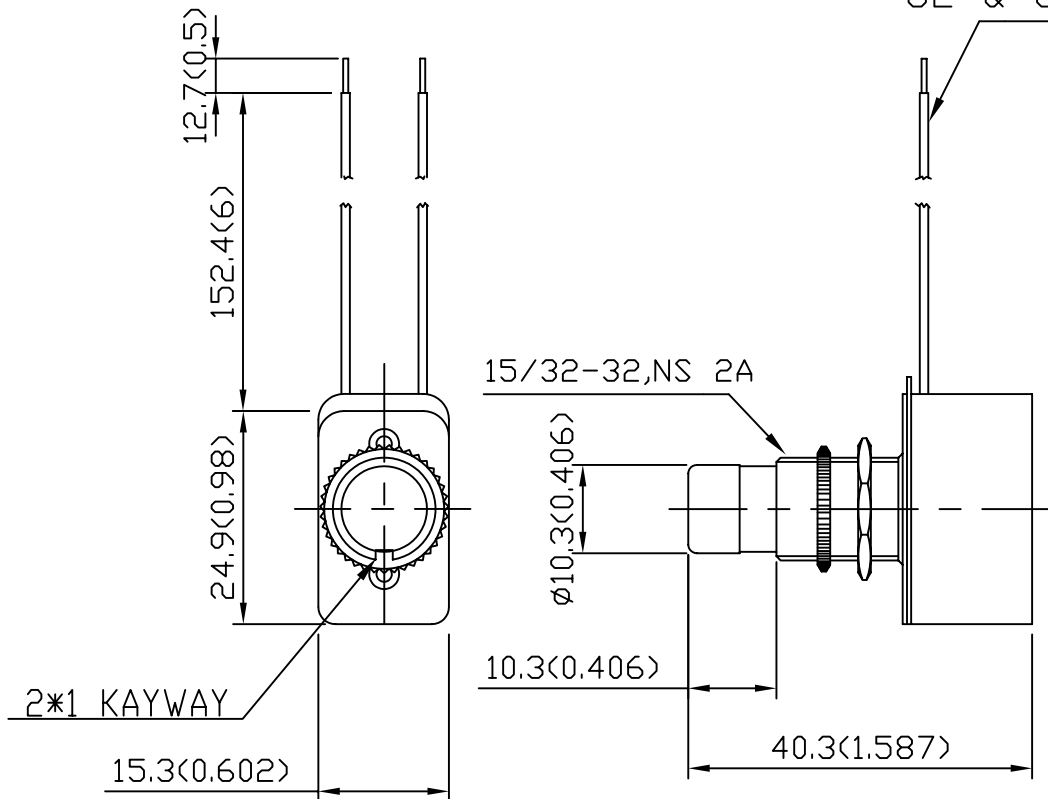


Rating	4A 250V,8A 125V 10A 125V.A.C.,1/3HP 125V.A.C.	Mount Hole 	Circuit Structure		
Contact R	50m ohm Max.		OFF		
Insulation R	DC 500V 100M ohm Min.			ON	
Dielectric Strength	AC 1500V 1 minute				
Circuit	2P SPST ON-OFF				
BUTTON: BRASS/BRIGHT NICKEL					

NOTES:

1.  RECOGNIZED.


STRANDED BARE COPPER
WIRE 18 AWG 105°C
UL & CSA. AWM #1015



KNURL NUT ASSY
HEX NUT ASSY

RATED CAPACITY:
4 AMP,250V
8 AMP,125V
10 AMP,125V.A.C
1/3 HP,125V.A.C.

ON-OFF MAINTAINED CONTACT
SINGLE POLE,SINGLE THROW

Unit	mm (inch)	DEL CITY P/N	7100014	REV.	1	
-------------	--------------	---------------------	---------	-------------	---	---