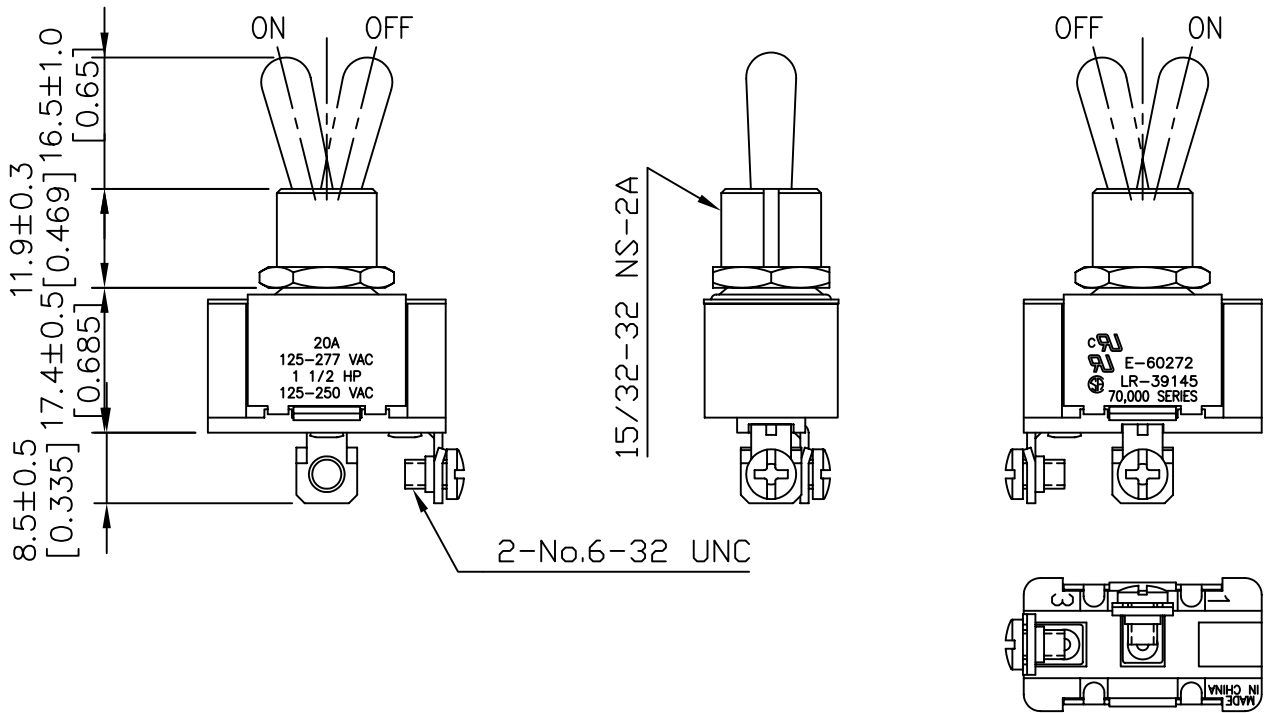
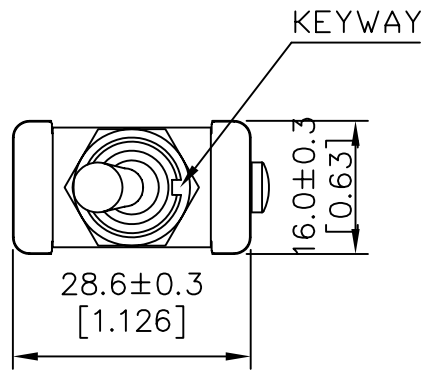


Rating	20A 125-277 VAC 1 1/2HP 125-250 VAC	Mount Hole	Circuit Structure
Contact R	50m ohm Max.		
Insulation R	DC 500V 100M ohm Min.		
Dielectric Strength	AC 1500V 1 minute		
Circuit	2P SPST ON-OFF		
Operation Force	800g \pm 200g		



Unit	mm (inch)	DEL CITY P/N 7200001	REV. 1	
-------------	--------------	-----------------------------	---------------	--