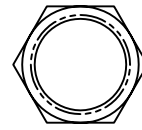
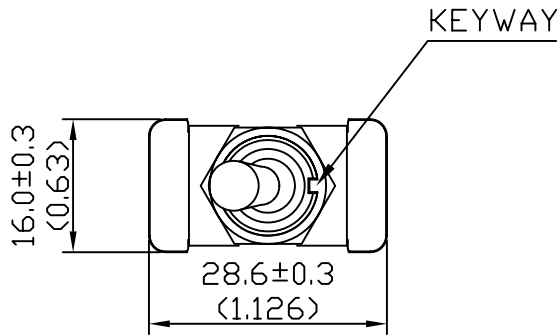
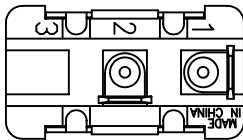
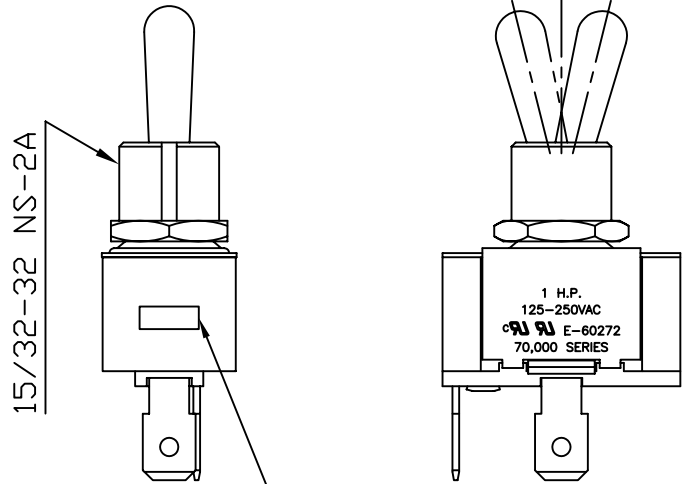
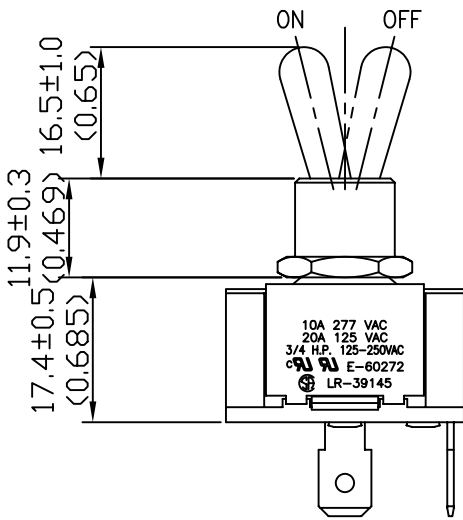


Rating	20A 125V,10A 277V AC 3/4HP 125-250 VAC,1HP 125-250VAC	Mount Hole	Circuit Structure
Contact R	50m ohm Max.		
Insulation R	DC 500V 100M ohm Min.		
Dielectric Strength	AC 1500V 1 minute		
Circuit	2P SPST ON-OFF		
Operation Force	600g±200g		



- 1 HEX NUT ASSY
- 1 HEX NUT IN BULK



DATE CODE

Unit	mm (inch)	DEL CITY P/N 7200004	REV. 2	
-------------	--------------	-----------------------------	---------------	--