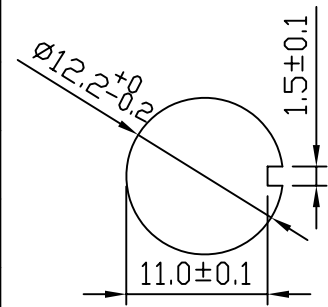
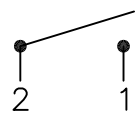
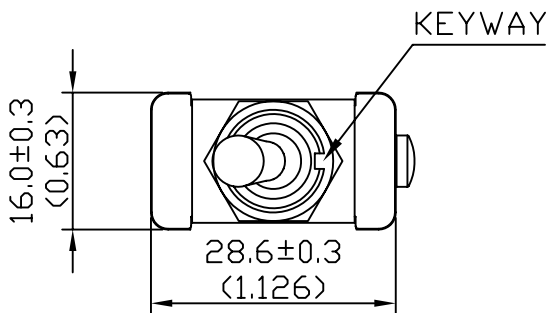
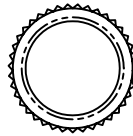


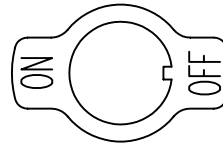
Rating	20A 125V, 10A 277V AC 3/4HP 125-250 VAC	Mount Hole 	Circuit Structure 
Contact R	50m ohm Max.		
Insulation R	DC 500V 100M ohm Min.		
Dielectric Strength	AC 1500V 1 minute		
Circuit	2P SPST ON-OFF		
Operation Force	600g±200g		



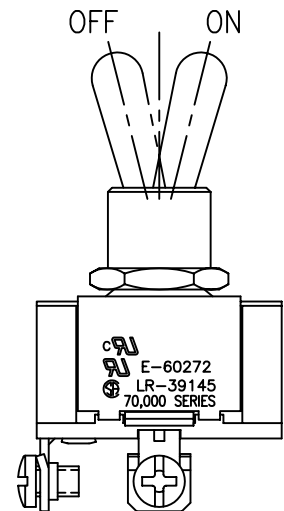
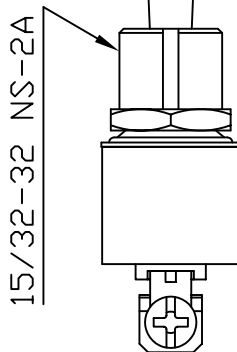
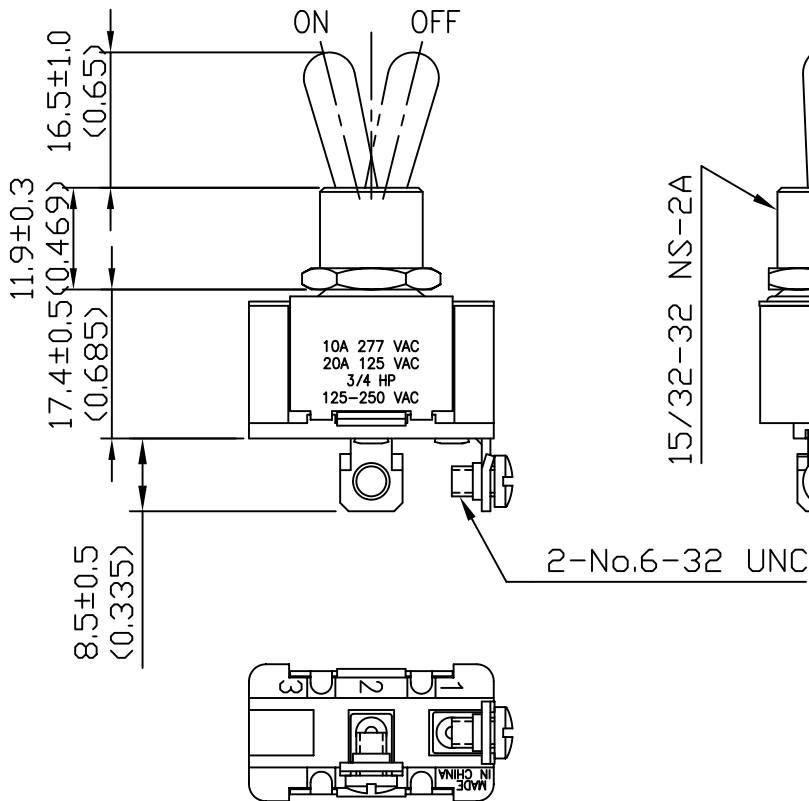
HEX NUT ASSY




KNURL NUT IN BULK



ON/OFF FACE PLATE
IN BULK



Unit	mm (inch)	DEL CITY P/N	7200017	REV.	1	
-------------	--------------	---------------------	---------	-------------	---	---