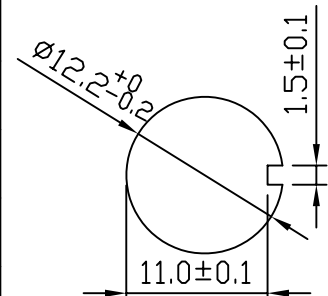
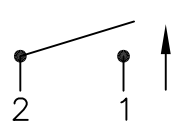
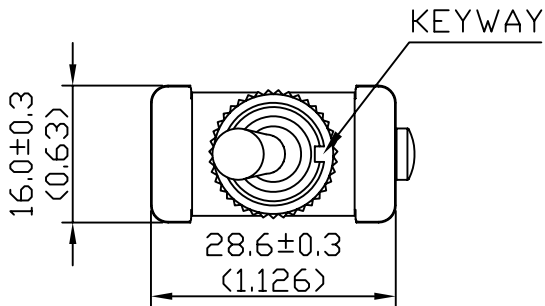
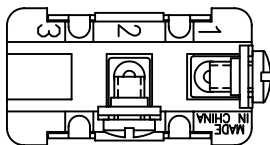
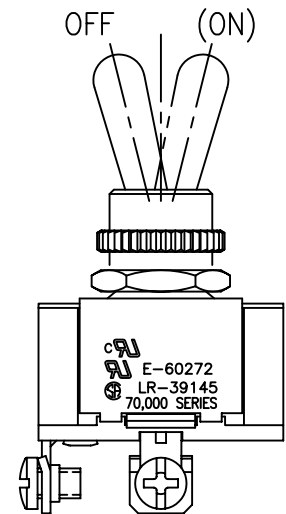
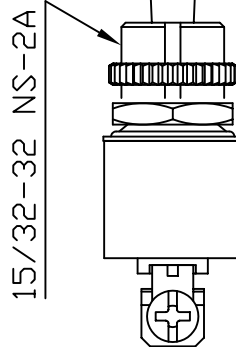
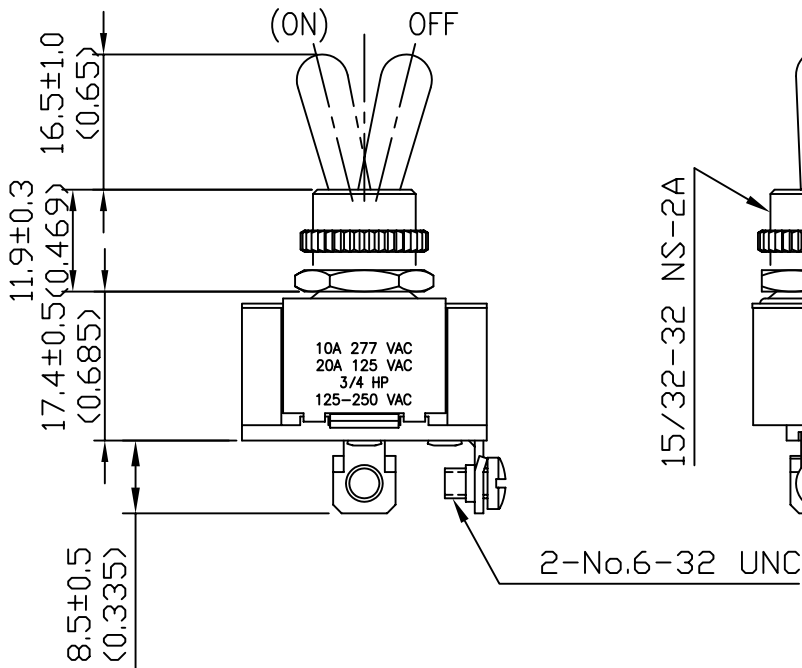



<b>Rating</b>	20A 125V, 10A 277V AC 3/4HP 125-250 VAC	<b>Mount Hole</b> 	<b>Circuit Structure</b> 
<b>Contact R</b>	50m ohm Max.		
<b>Insulation R</b>	DC 500V 100M ohm Min.		
<b>Dielectric Strength</b>	AC 1500V 1 minute		
<b>Circuit</b>	2P SPST (ON)-OFF		
<b>Operation Force</b>	700g $\pm$ 200g		



HEX NUT ASSY  
KNURL NUT ASSY



<b>Unit</b>	mm (inch)	<b>DEL CITY P/N</b>	7200018	<b>REV.</b>	1	
-------------	--------------	---------------------	---------	-------------	---	---