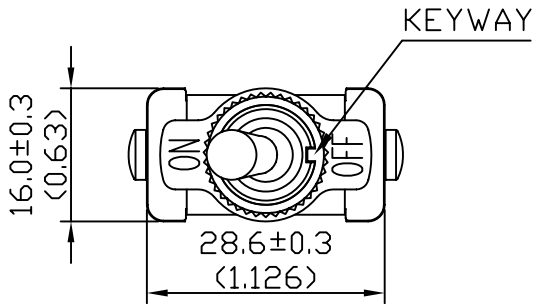
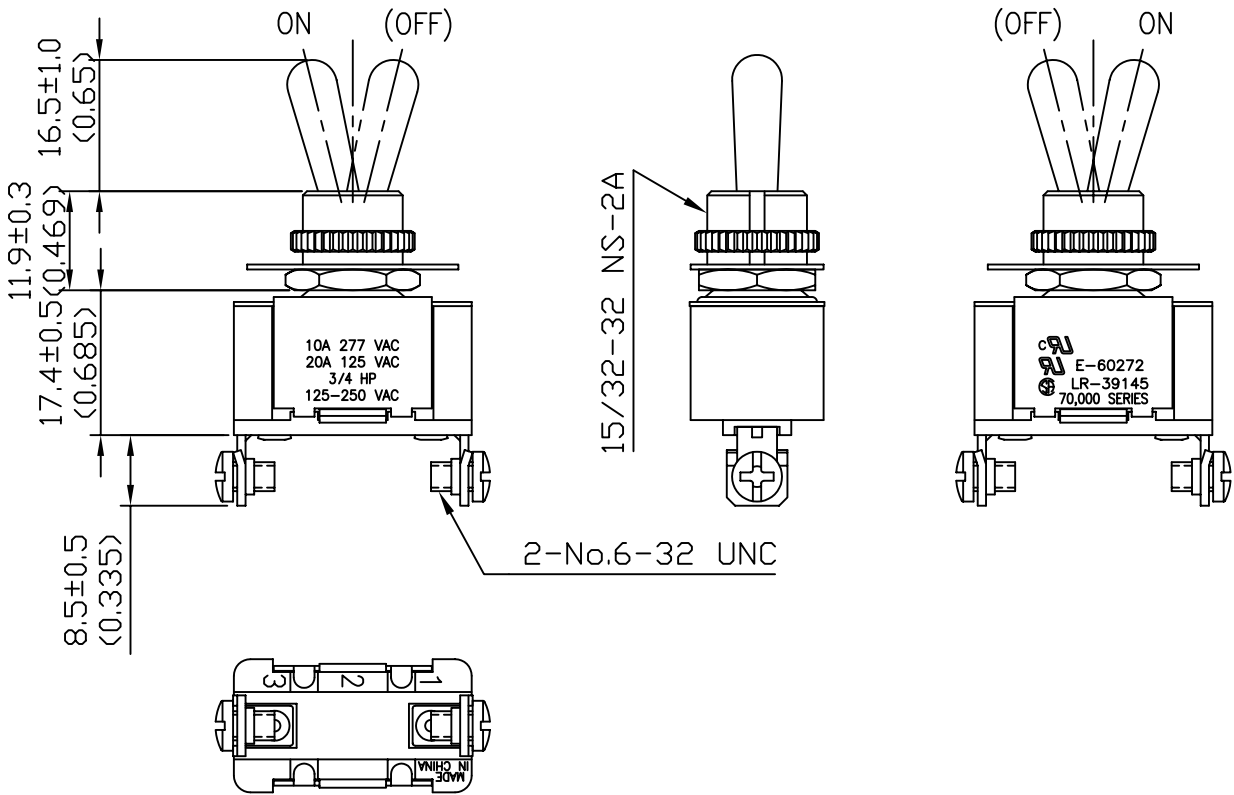


<b>Rating</b>	20A 125V,10A 277V AC 3/4HP 125-250 VAC	<b>Mount Hole</b>	<b>Circuit Structure</b>
<b>Contact R</b>	50m ohm Max.		
<b>Insulation R</b>	DC 500V 100M ohm Min.		
<b>Dielectric Strength</b>	AC 1500V 1 minute		
<b>Circuit</b>	2P SPST ON-(OFF)		
<b>Operation Force</b>	750g±200g		



- 1 KNURL NUT ASSY
- 1 ON/OFF FACE PLATE ASSY
- 1 HEX NUT ASSY



<b>Unit</b>	mm (inch)	<b>DEL CITY P/N</b> 7200029	<b>REV.</b> 1	
-------------	--------------	-----------------------------	---------------	--