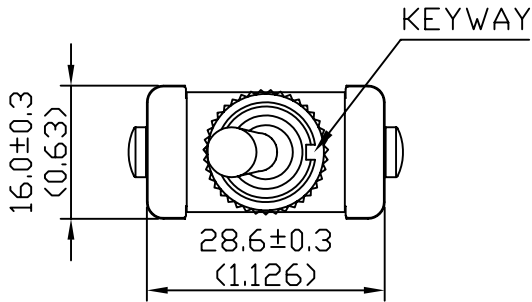
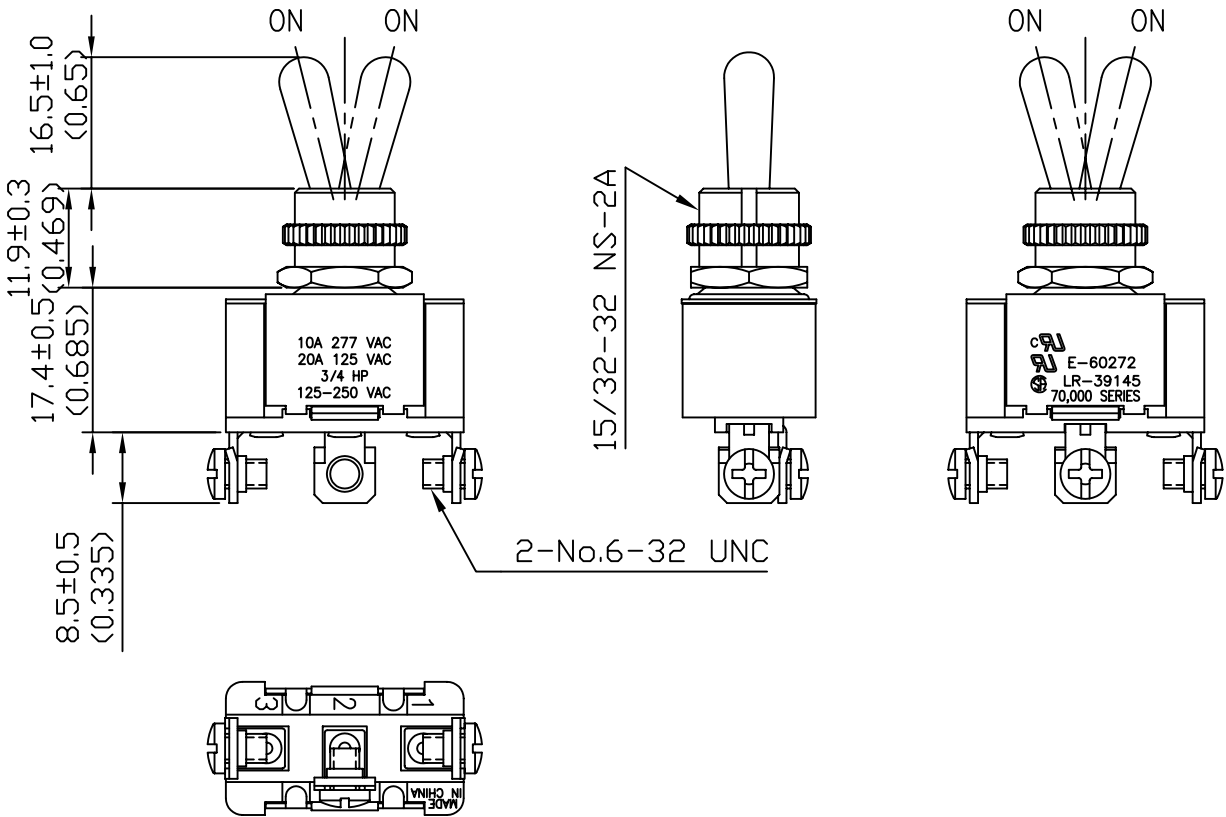


Rating	20A 125V,10A 277V AC 3/4HP 125-250 VAC	Mount Hole 	Circuit Structure
Contact R	50m ohm Max.		
Insulation R	DC 500V 100M ohm Min.		
Dielectric Strength	AC 1500V 1 minute		
Circuit	3P SPDT ON-ON		
Operation Force	600g±200g		



HEX NUT ASSY
KNURL NUT ASSY



Unit	mm (inch)	DEL CITY P/N 7200035	REV. 1	
-------------	--------------	-----------------------------	---------------	--