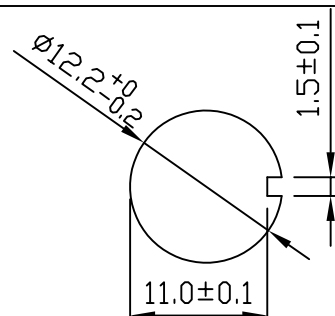
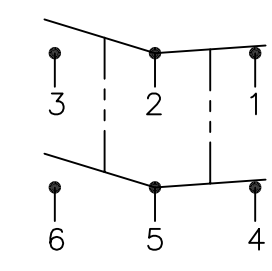


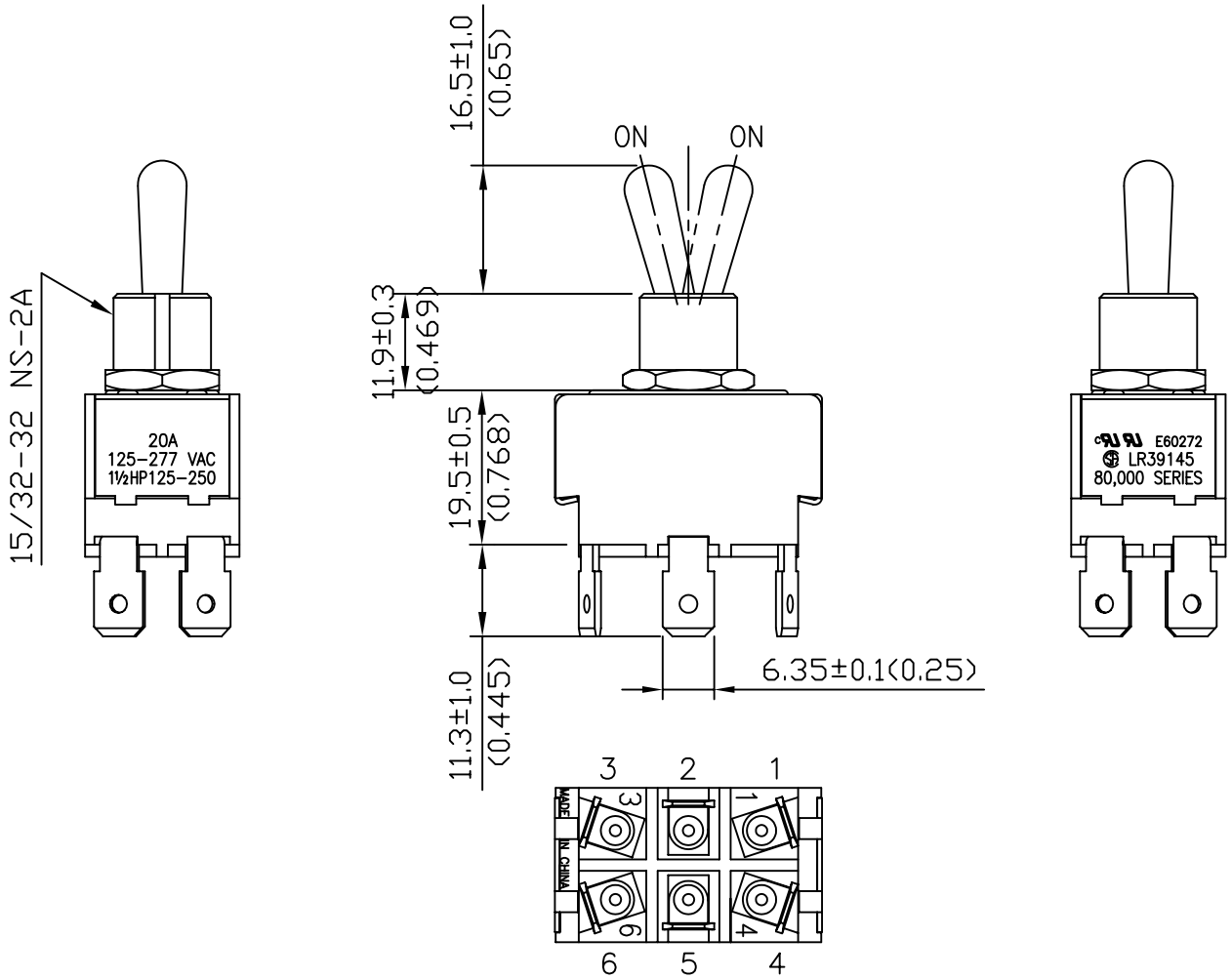
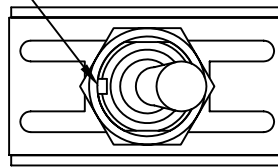
Rating	20A 125-277VAC 1½HP 125-250VAC	Mount Hole 	Circuit Structure 
Contact R	50m ohm Max.		
Insulation R	DC 500V 100M ohm Min.		
Dielectric Strength	AC 1500V 1 minute		
Circuit	6P DPDT ON-ON		
Operation Force	2000g±400g		

HEX NUT ASSY



KNURL NUT IN BULK

KEYWAY



Unit

mm
(inch)

DEL CITY P/N 7300002

REV.

1

