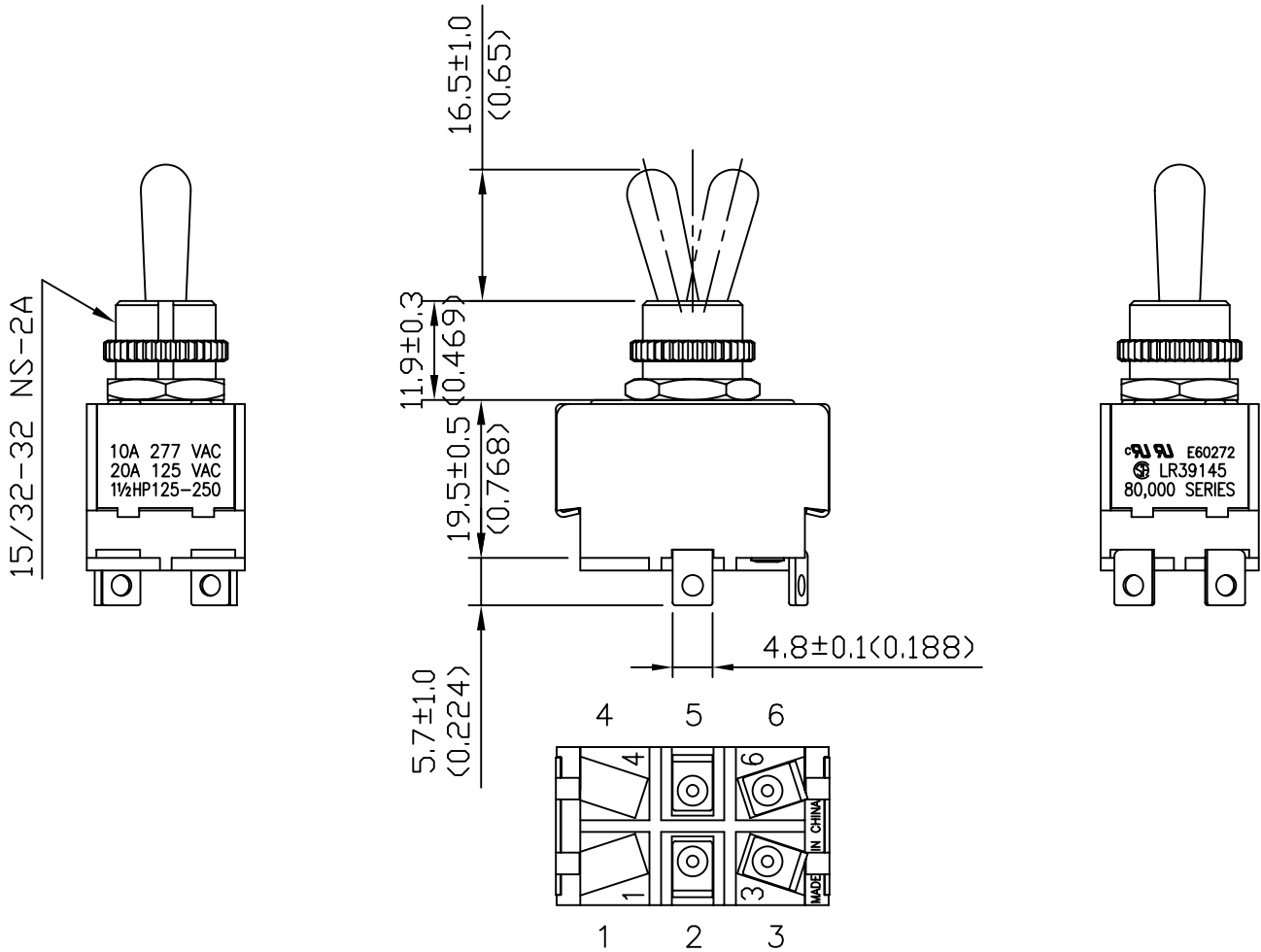
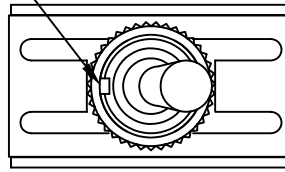


Rating	10A 277VAC, 20A 125VAC 1½HP 125-250VAC	Mount Hole		Circuit Structure	
Contact R	50m ohm Max.				
Insulation R	DC 500V 100M ohm Min.				
Dielectric Strength	AC 1500V 1 minute				
Circuit	4P DPST ON-OFF				
Operation Force	1200g±400g				

KNURL NUT ASSY  
HEX NUT ASSY

KEYWAY



Unit	mm (inch)	DEL CITY P/N	7300022	REV.	1	
------	-----------	--------------	---------	------	---	--