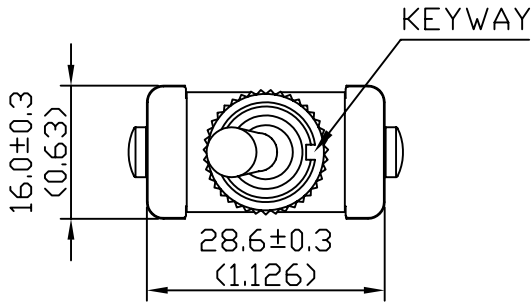
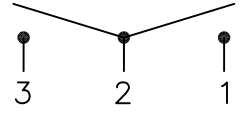
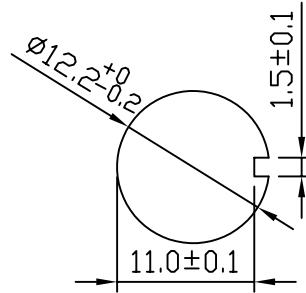
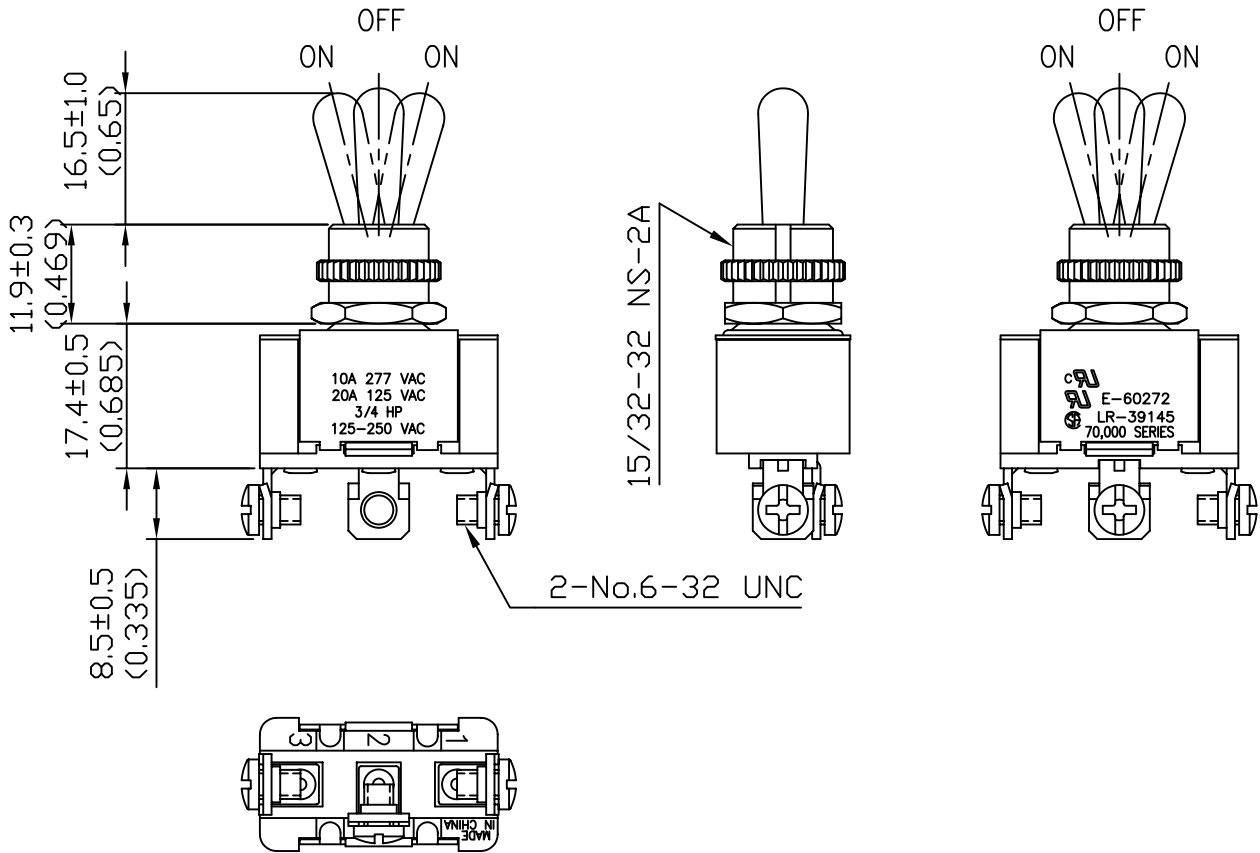


Rating	20A 125V,10A 277V AC 3/4HP 125-250 VAC	Mount Hole	Circuit Structure
Contact R	50m ohm Max.		
Insulation R	DC 500V 100M ohm Min.		
Dielectric Strength	AC 1500V 1 minute		
Circuit	3P SPDT ON-OFF-ON		
Operation Force	OFF-ON:700g±200g ON-OFF:450g±150g		



KNURL NUT ASSY
HEX NUT ASSY



Unit	mm (inch)	DELCITY P/N 73115	REV. 1	
-------------	--------------	--------------------------	---------------	--