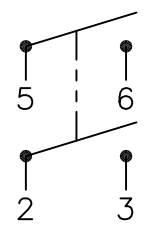
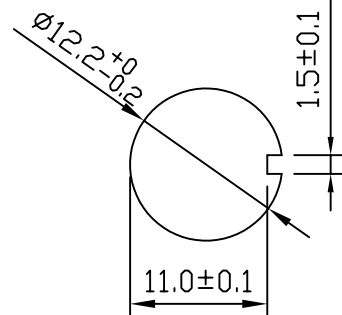


|                            |   |                   |                          |
|----------------------------|---|-------------------|--------------------------|
| <b>Rating</b>              | 10A 277VAC, 20A 125VAC<br>1 1/2HP 125-250VAC<br>21A 14VDC | <b>Mount Hole</b> | <b>Circuit Structure</b> |
| <b>Contact R</b>           | 50m ohm Max.  |                   |                          |
| <b>Insulation R</b>        | DC 500V 100M ohm Min.                                     |                   |                          |
| <b>Dielectric Strength</b> | AC 1500V 1 minute   |                   |                          |
| <b>Circuit</b>             | 4P DPST ON-OFF  |                   |                          |
| <b>Operation Force</b>     | 1200g±300g  |                   |                          |



- 1 KNURL NUT ASSY
- 1 HEX NUT ASSY
- 1 INTERNAL ORING

