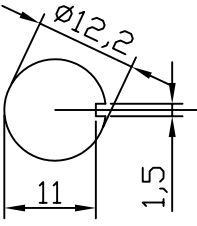

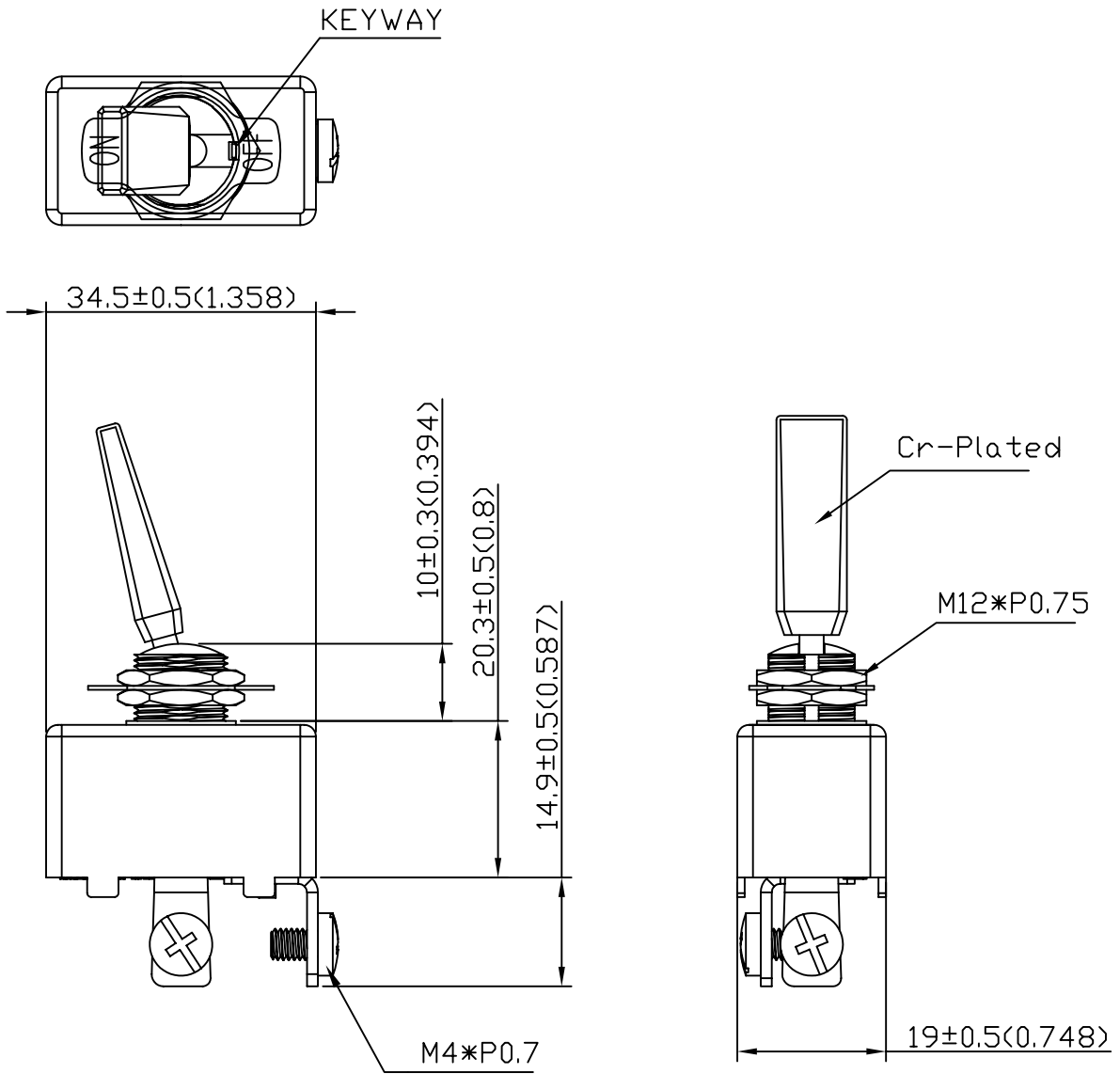



Rating	50A 12VDC	Mount Hole	Circuit Structure
Contact R	50m ohm Max.	 <p>Thickness: 0.5-5.0mm</p>	
Insulation R	DC 500V 100M ohm Min.		
Dielectric Strength	AC 1500V 1 minute		
Circuit	2P SPST ON-OFF		
Operation Temperture	-20°C~85°C		



Unit	mm (inch)	DEL CITY P/N	73245	REV.	1	
------	--------------	--------------	-------	------	---	---