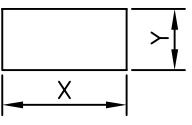
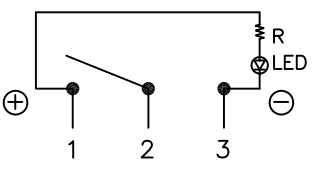
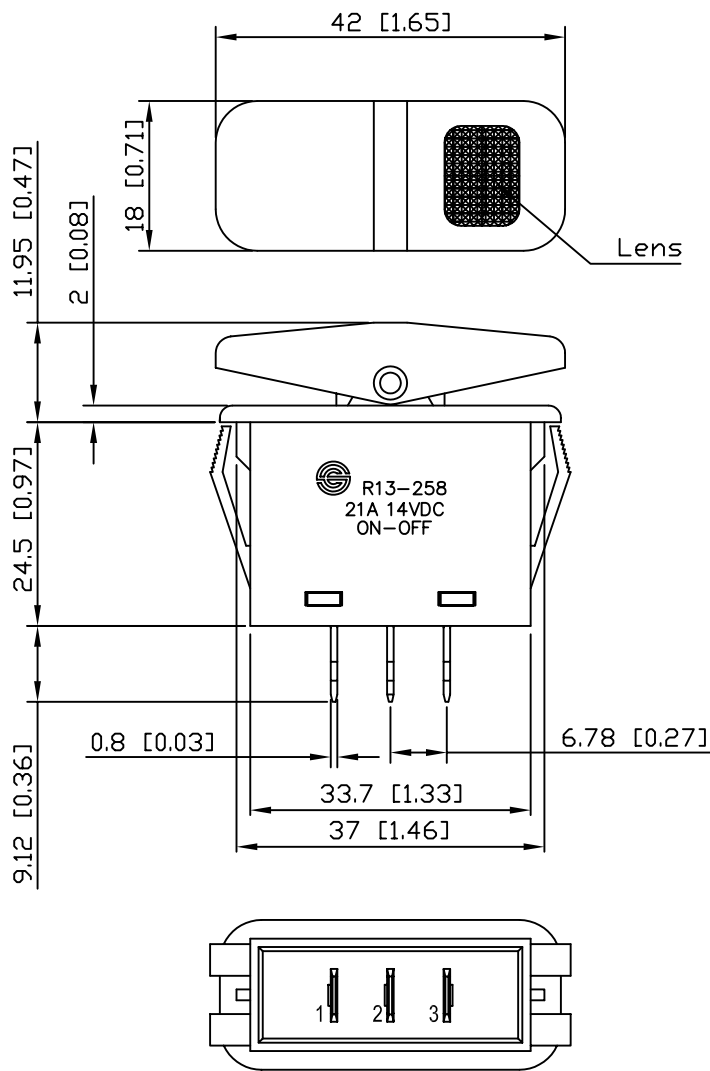



Rating	21A 14VDC	Mount Hole		Circuit Structure	
Contact R.	50m ohm Max.				
Insulation R.	DC 500V 100M ohm Min.	Thickness	X	Y	12V R=680 ohm 24V R=1.5k ohm SPST 3P ON-OFF
Operation Temp.	-20 ~ 85°C	0.75~5mm 0.03~0.2inch	36.8-0.1 1.45"-0.004"	15.2-0.1 .60"-0.004"	
Operation force					
Safety approval		Material: Case and bottom are nylon-66, actuator is nylon-66 with 33% glass fiber, terminals are silver plated copper, lens is PC. Waterproof and dust proof to IP-66. UV resistant.			



LENS COLOR: RED
 ACTUATOR COLOR: BLACK
 FRAME COLOR: BLACK

Unit	mm (inch)	DEL CITY P/N	73281	REV.	1	
------	-----------	--------------	-------	------	---	---