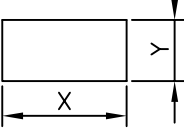
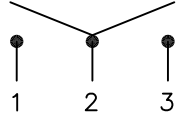
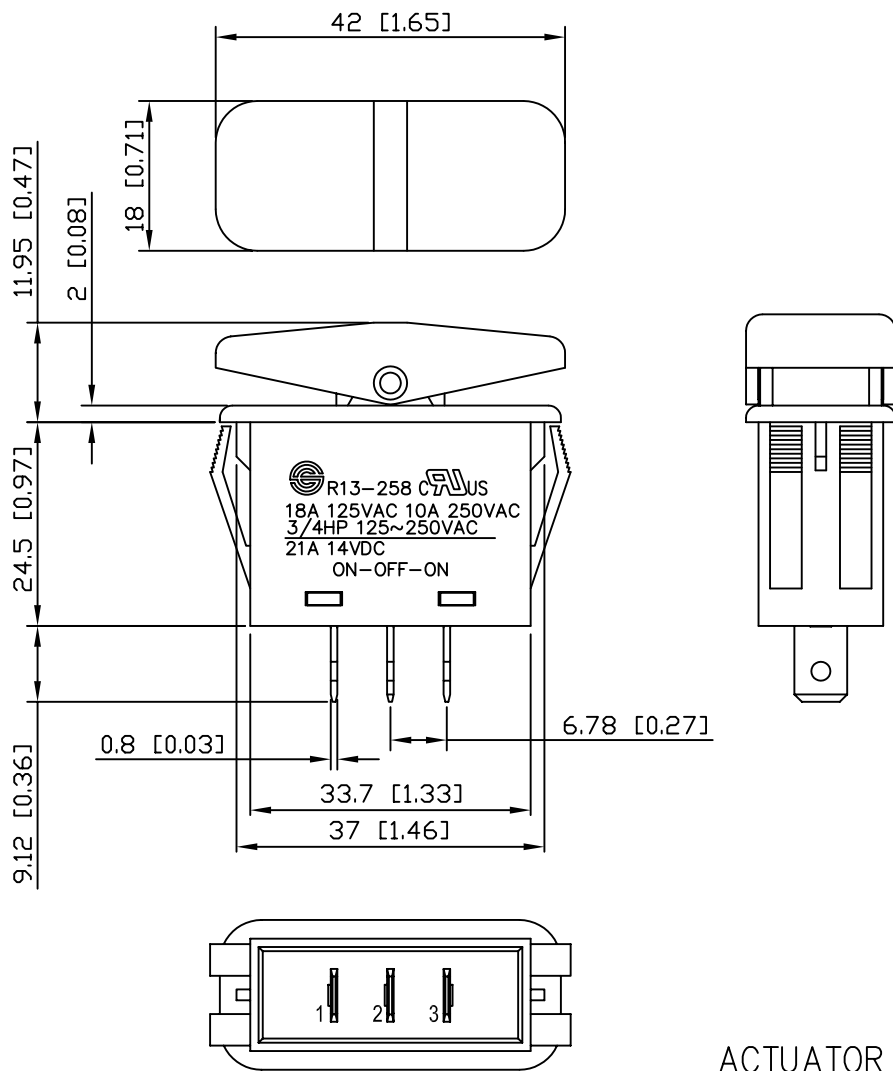



Rating	18A 125VAC/10A 250VAC 3/4HP 125~250VAC 21A 14VDC	Mount Hole 	Circuit Structure	
Contact R.	50m ohm Max.			
Insulation R.	DC 500V 100M ohm Min.	Thickness	X	Y
Operation Temp.	-20 ~ 85°C	0.75~5mm 0.03~0.2inch	36.8-0.1 1.45"-0.004"	15.2-0.1 .60"-0.004"
Operation force		SPDT 3P ON-OFF-ON		
Safety approval		Material: Case and bottom are nylon-66, actuator is nylon-66 with 33% glass fiber, terminals are silver plated copper. Waterproof and dust proof to IP-66. UV resistant.		



ACTUATOR COLOR: BLACK  
FRAME COLOR: BLACK

Unit	mm (inch)	DEL CITY P/N	73282	REV.	1	
------	--------------	--------------	-------	------	---	---