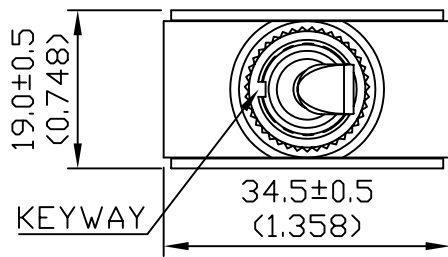
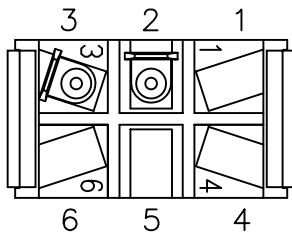
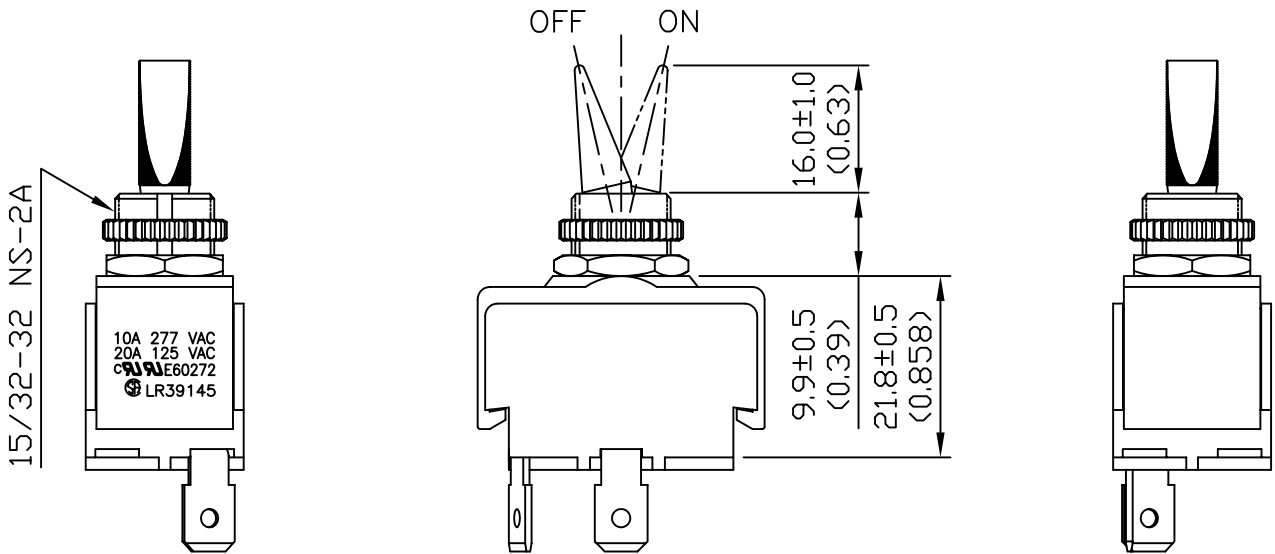


<b>Rating</b>	10A 125 VAC, 20A 277 VAC	<b>Mount Hole</b>	<b>Circuit Structure</b>
<b>Contact R</b>	50m ohm Max.		
<b>Insulation R</b>	DC 500V 100M ohm Min.		
<b>Dielectric Strength</b>	AC 1500V 1 minute		
<b>Circuit</b>	2P SPST OFF-ON		
<b>Operation Force</b>	700g±200g		



HEX NUT ASSY  
BLACK KNURL NUT ASSY



<b>Unit</b>	mm (inch)	<b>DEL CITY P/N</b> 73305	<b>REV.</b> 1	
-------------	--------------	---------------------------	---------------	--