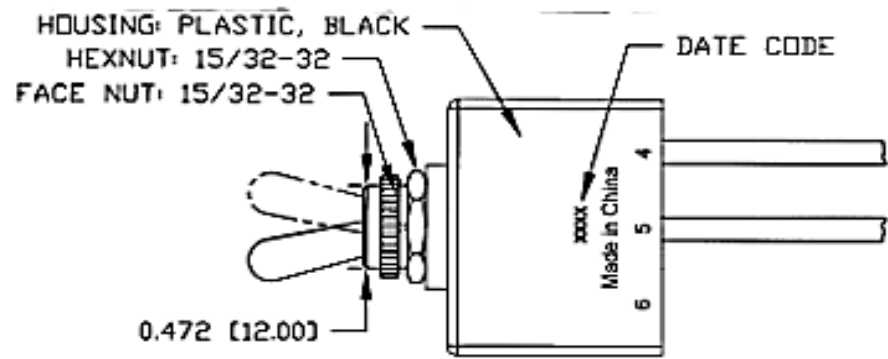



- NOTES:
- 1) SEALED TOGGLE SWITCH, DPST, SILVER CONTACTS.
 - 2) SEALING SPEC: IP67.
 - 3) ENVIRONMENTAL: -40 TO 85°C
 - 4) BUSHING, TOGGLE & HDWARE: BRASS, NICKEL PLATED.
 - 5) ELECTRICAL RATING: 25A@12VDC; 15A@24VDC.
 - 6) ALL HARDWARE ASSEMBLED.



Uncontrolled copy

Rev.
A

*Part not drawn to scale.

DESCRIPTION	
	
Material	Black Thermoplastic
Rating	25A @ 12VDC, 15A @ 24VDC
Actuation	DPST / On - Off
Termination	4 Wire Leads
Ingress Rating	IP67
Temperature	-40C° (-40F°) to 85°C (185°F)
DPST 25A Sealed Toggle Switch, 4 Wire Leads, ON-OFF	
DATE:	PART #:
11/2/2016	73335