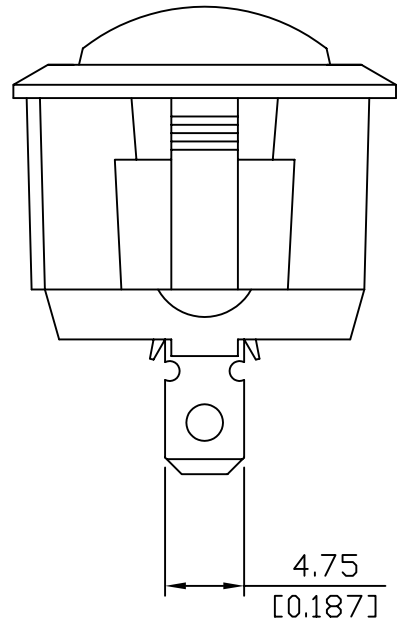
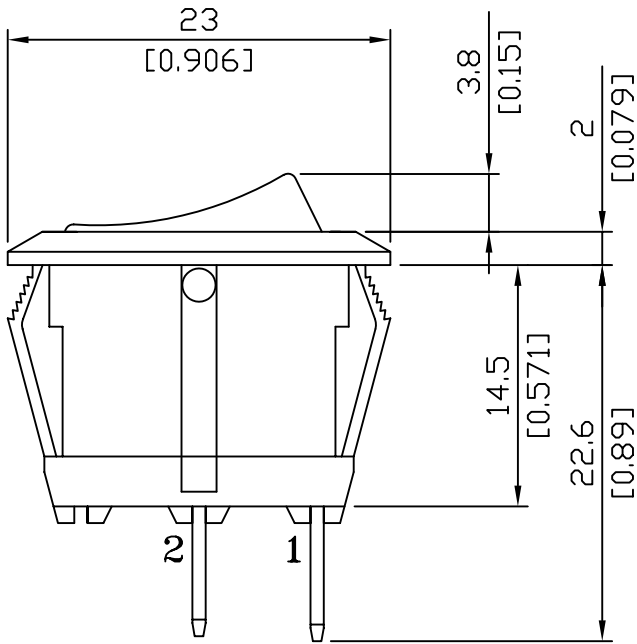
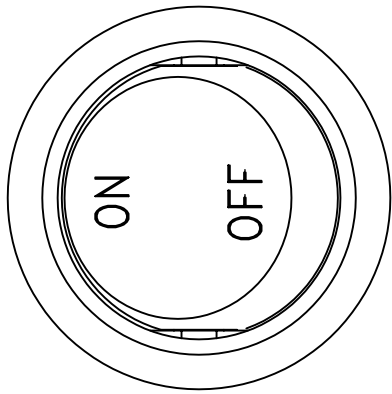


Rating	10A 125V,6A 250V AC	<p style="text-align: center;"><b>Mount Hole</b></p>	
Contact R	50m ohm Max.		
Insulation R	DC 500V 100M ohm Min.		
Dielectric Strength	AC 1500V 1 minute		
Operating Temperature	-20°C~85°C		
Circuit	2P SPST ON-OFF	<p style="text-align: center;"><b>Circuit Structure</b></p>	



Unit	mm (inch)	DEL CITY P/N	73556	REV.	1	
------	-----------	--------------	-------	------	---	--