
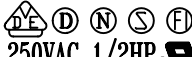

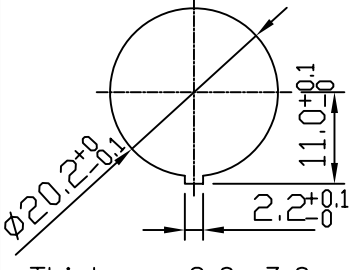
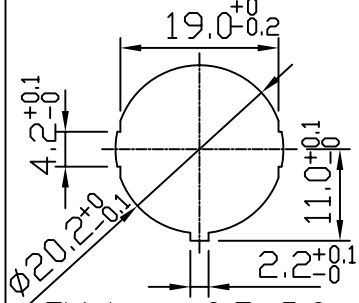
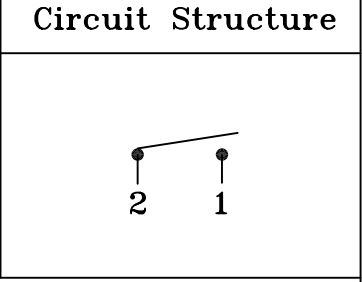
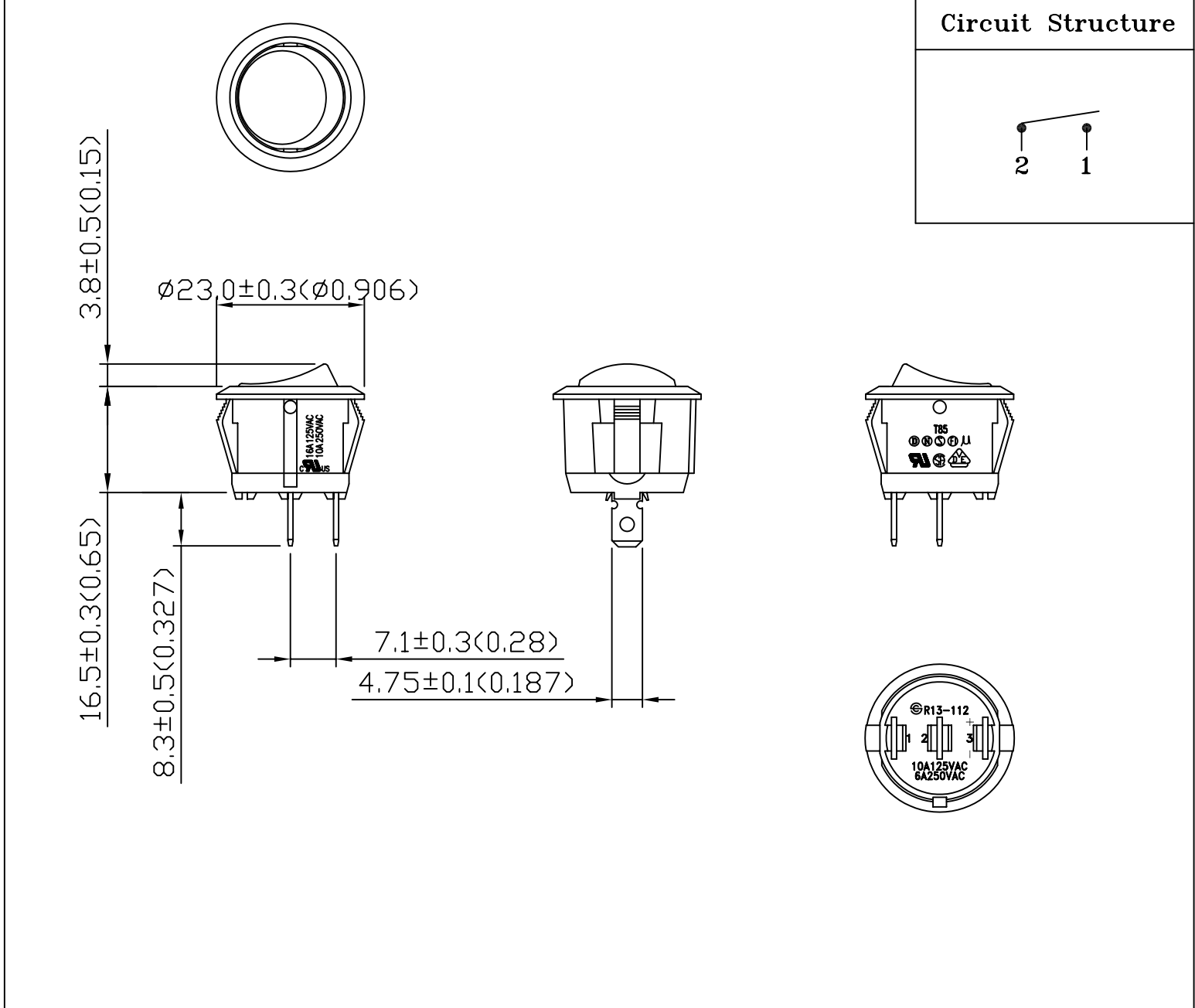



Rating	10A 125V, 6A 250V AC  6A 250V ~  16A 125VAC 1/3HP, 10A 250VAC 1/2HP 	Mount Hole
Contact R	50m ohm Max.	 Thickness: 2.0~3.0
Insulation R	DC 500V 100M ohm Min.	
Dielectric Strength	AC 1500V 1 minute	
Operation Temperature	-20°C~85°C	
Circuit	2P SPST ON-OFF	
		 Thickness: 0.7~3.0



Unit	mm (inch)	DEL CITY P/N	7500020	REV.	1	
------	-----------	--------------	---------	------	---	---