
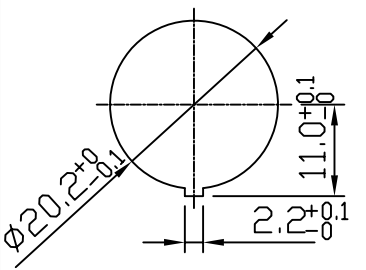
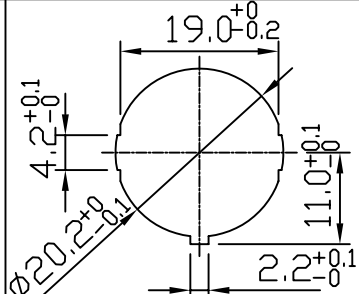
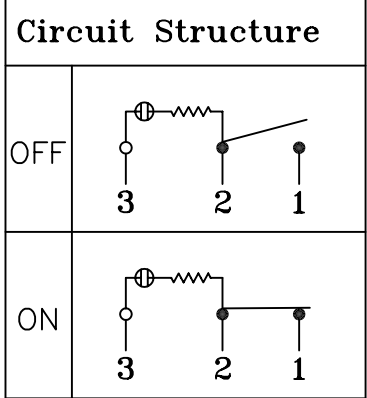
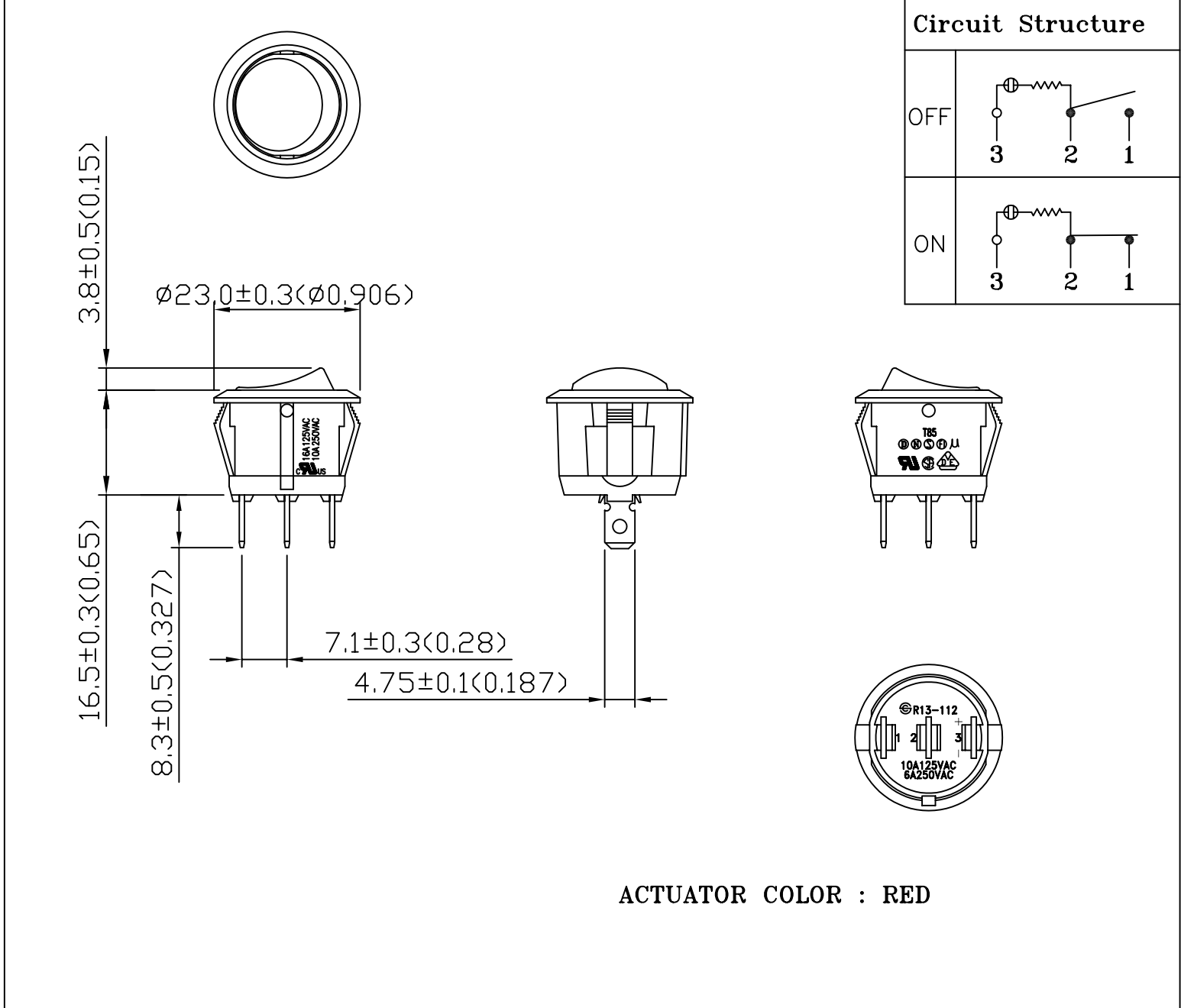


Rating	10A 125V,6A 250V AC 6A 250V ~ 16A 125VAC 1/3HP,10A 250VAC 1/2HP _C		Mount Hole
Contact R	50m ohm Max.	 <p>Thickness:2.0~3.0</p>	 <p>Thickness:0.7~3.0</p>
Insulation R	DC 500V 100M ohm Min.		
Dielectric Strength	AC 1500V 1 minute		
Operation Temperature	-20°C~85°C		
Circuit	3P SPST ON-OFF (Illuminated)		



Unit	mm (inch)	DEL CITY P/N	7500025	REV.	1	
------	--------------	--------------	---------	------	---	---