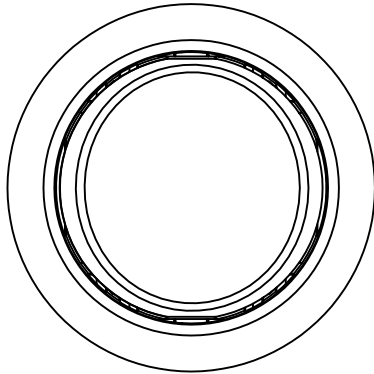
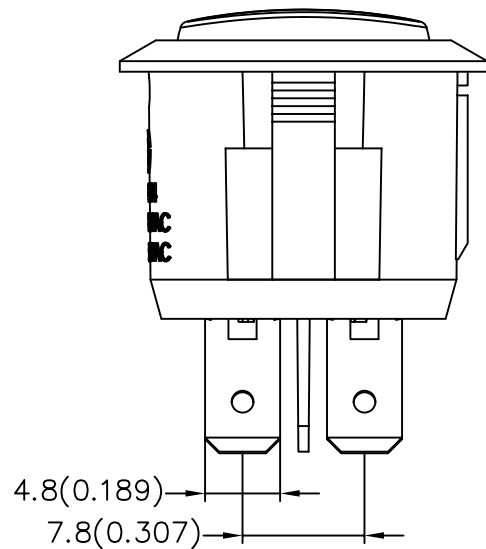
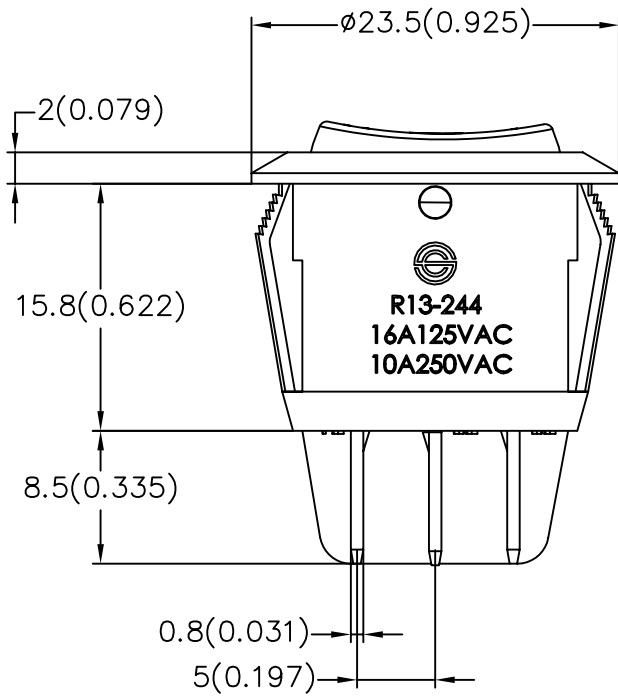
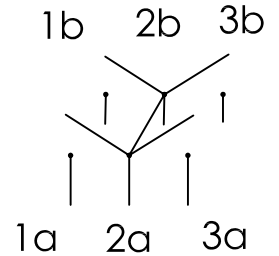


Rating	16A 125VAC/ 10A 250VAC	Mount Hole	
Contact R.	50m ohm Max.	<p>Thickness: 2.0~3.0</p>	<p>Thickness: 0.7~3.0</p>
Insulation R.	DC 500V 100M ohm Min.		
Dielectric Strength	AC 1500V 1minute		
Circuit	6P DPDT On-Off-On		

Operation Temperature: -20°C~85°C
 Operation Force: 900g±300g



Circuit Structure



-Recommend to use push-on terminals

Unit	mm (inch)	DEL CITY P/N	7500026	REV.	1	
------	--------------	--------------	---------	------	---	--