


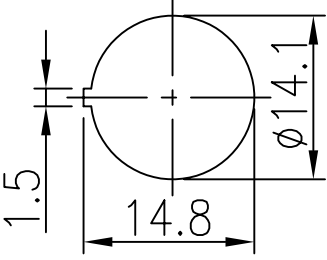
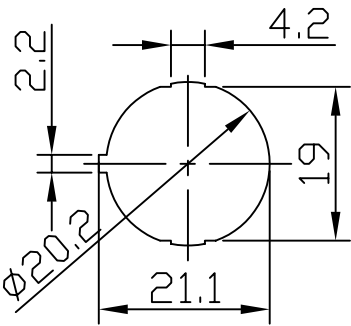
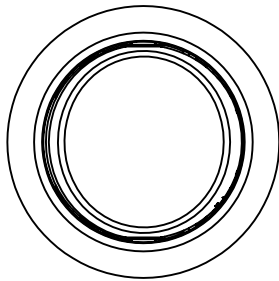
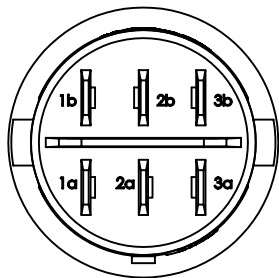
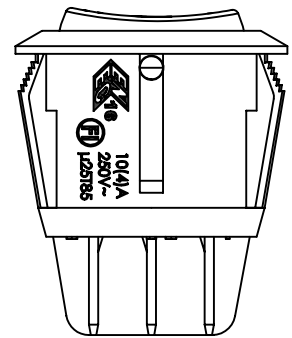
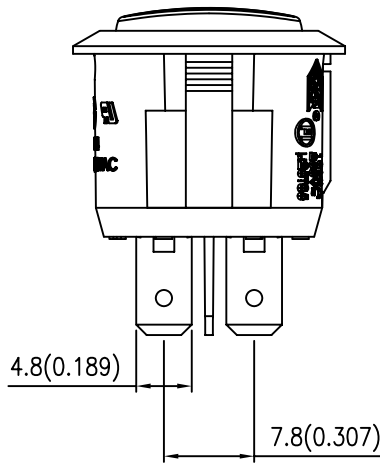
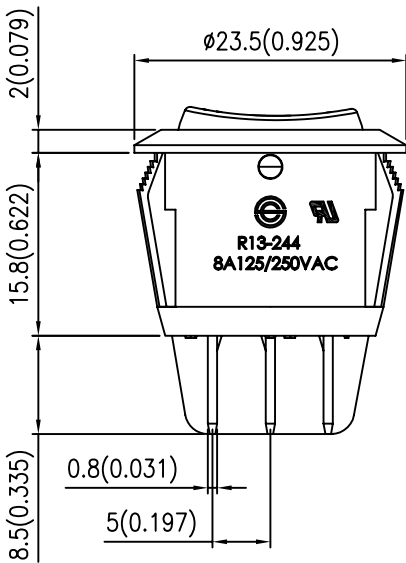
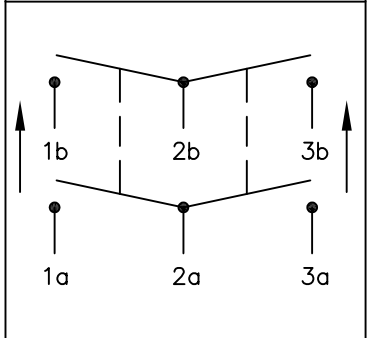


Rating	10(4)A 250VAC  (F)  8A125/250VAC 	Mount Hole	
Contact R	50m ohm Max.	 Thickness: 2.0~3.0	 Thickness: 0.7~3.0
Insulation R	DC 500V 100M ohm Min.		
Dielectric Strength	AC 1500V 1 minute		
Operation Temperature	-20°C~85°C		
Operation Force	900g±300g		
Circuit	6P DPDT (ON)-OFF-(ON)		



Material:  
 Frame: Black, Nylon 66  
 Actuator: Black, Nylon 66

**Circuit Structure**



-Recommend to use push-on terminals