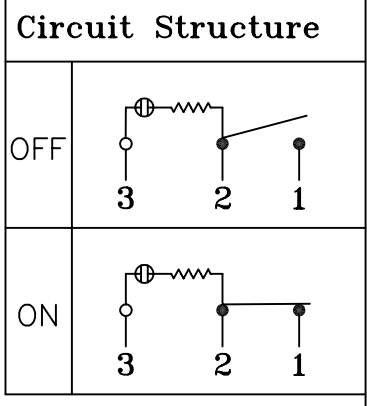
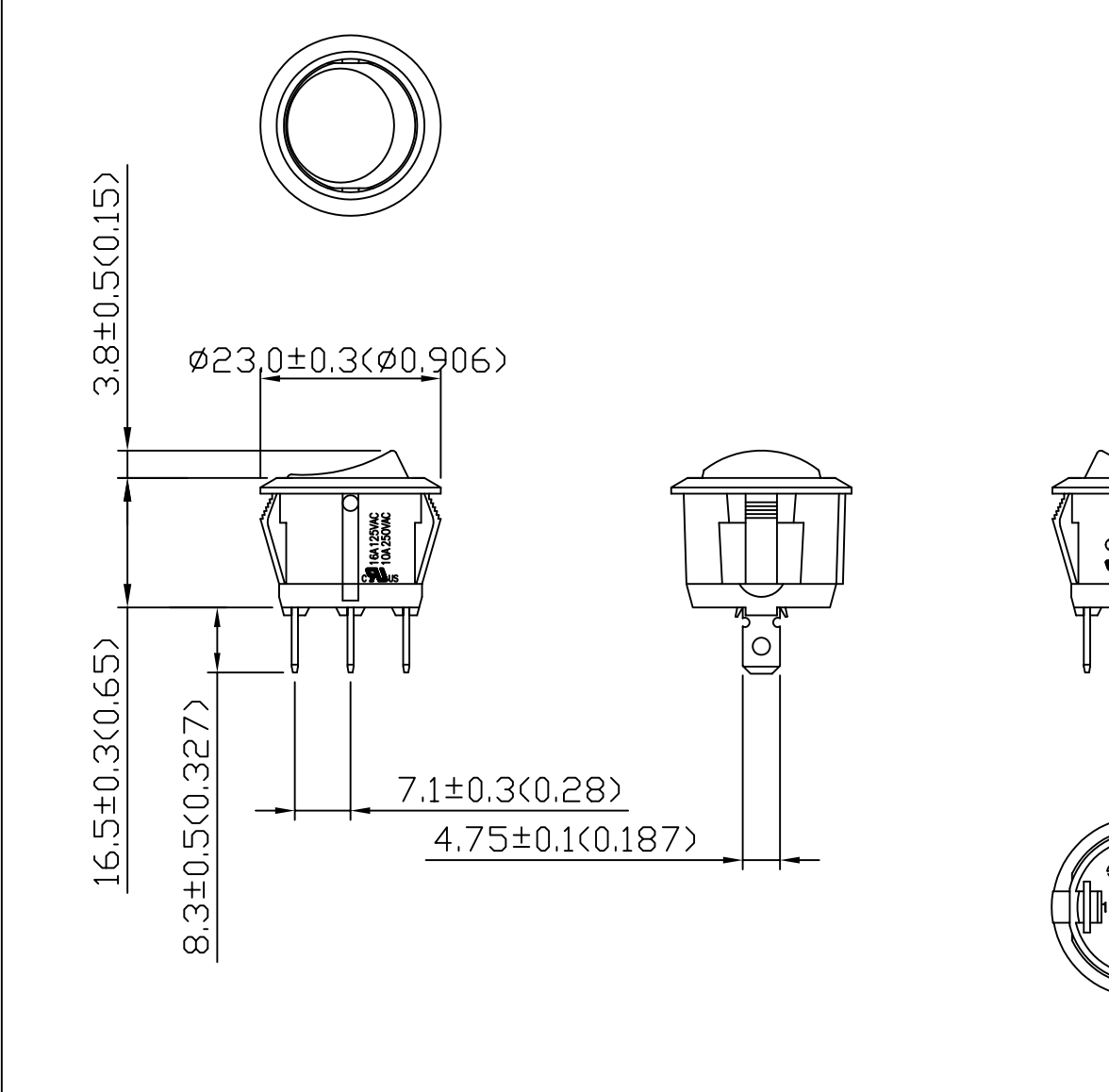


Rating	10A 125VAC	Mount Hole	
Contact R	50m ohm Max.		
Insulation R	DC 500V 100M ohm Min.		
Dielectric Strength	AC 1500V 1 minute		
Operation Temperature	-20°C~85°C		
Circuit	3P SPST ON-OFF (Illuminated)		
		Thickness:2.0~3.0	Thickness:0.7~3.0



actuator color : amber

Unit	mm (inch)	DEL CITY P/N	7500028	REV.	1	
------	-----------	--------------	---------	------	---	--