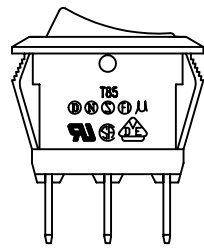
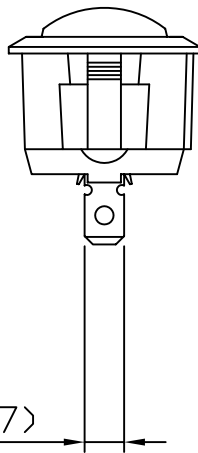
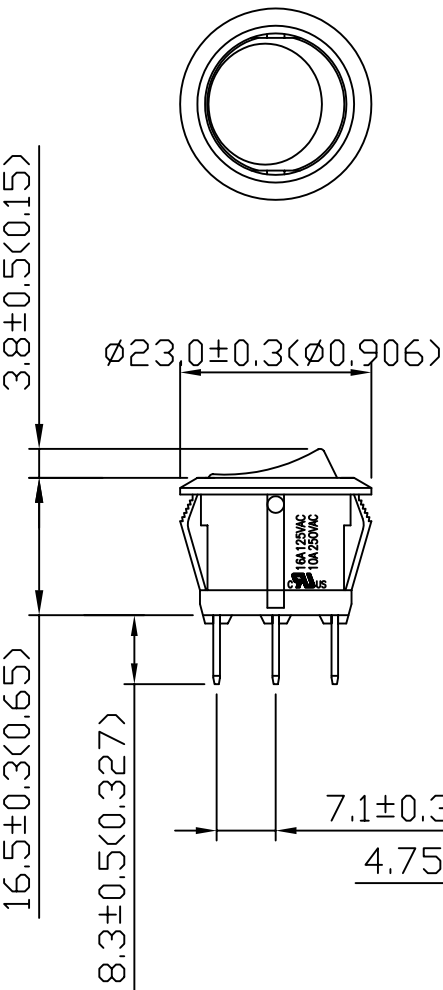
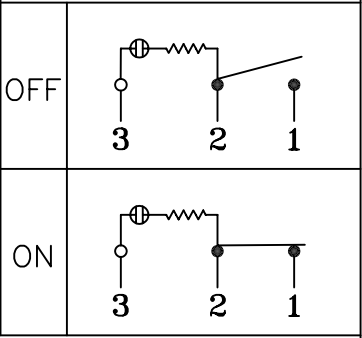


Rating	10A 125VAC	Mount Hole	
Contact R	50m ohm Max.		
Insulation R	DC 500V 100M ohm Min.		
Dielectric Strength	AC 1500V 1 minute		
Operation Temperature	-20°C~85°C		
Circuit	3P SPST ON-OFF (Illuminated)		



Circuit Structure



*.Black body, Green rocker.

Unit	mm (inch)	DEL CITY P/N	7500029	REV.	1	
------	--------------	--------------	---------	------	---	--