


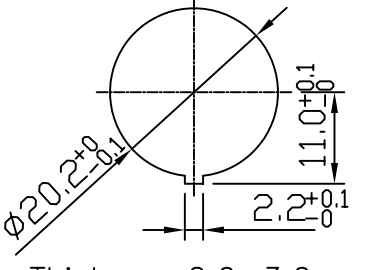
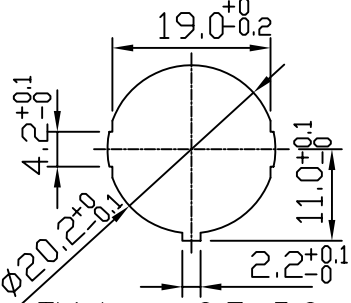
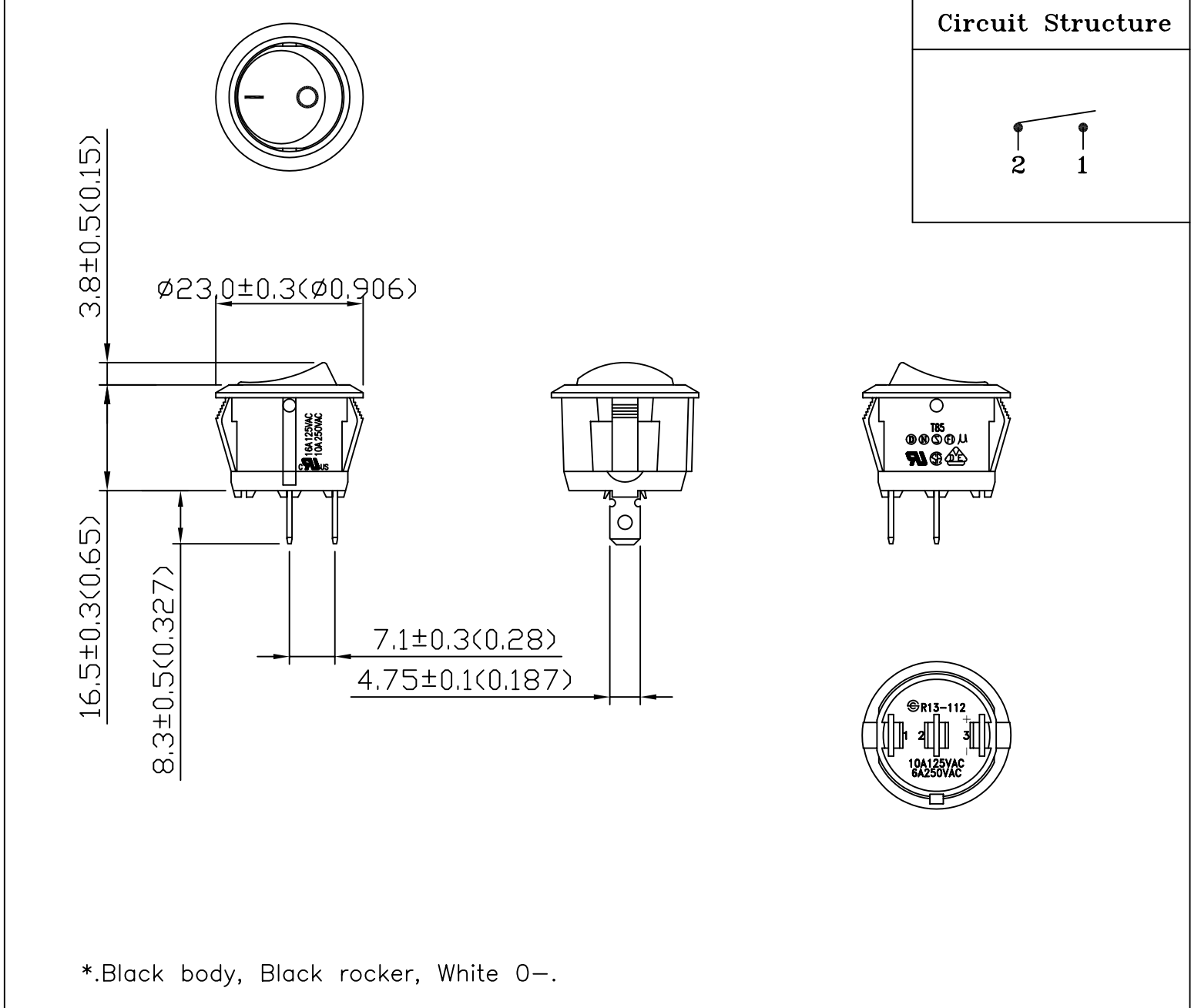



Rating	10A 125V,6A 250V AC  6A 250V ~  16A 125VAC 1/3HP,10A 250VAC 1/2HP 	Mount Hole
Contact R	50m ohm Max.	 Thickness:2.0~3.0
Insulation R	DC 500V 100M ohm Min.	
Dielectric Strength	AC 1500V 1 minute	
Operation Temperture	-20°c~85°c	
Circuit	2P SPST ON-OFF	
		 Thickness:0.7~3.0



Unit	mm (inch)	DEL CITY P/N 7500031	REV.	1	
------	--------------	----------------------	------	---	---