


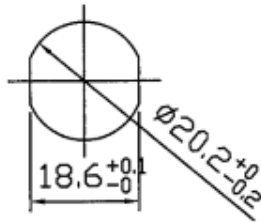
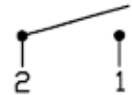


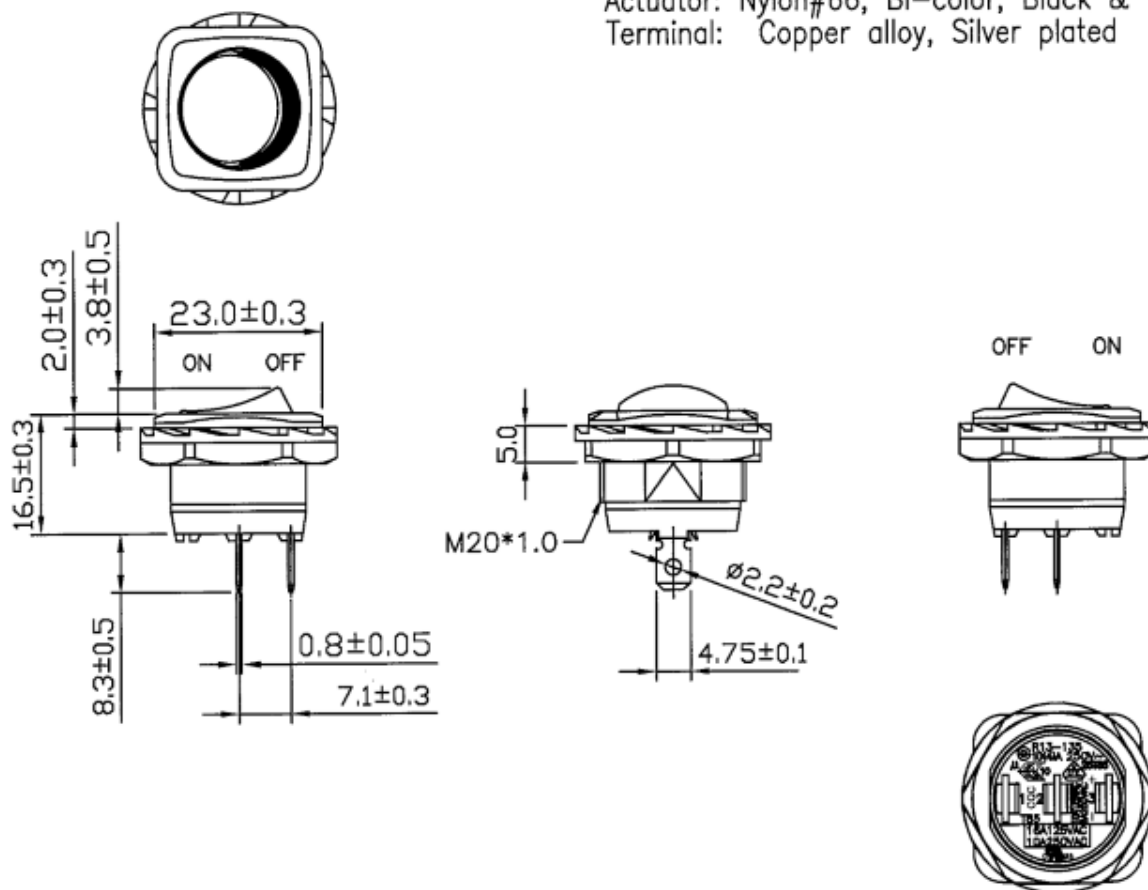
Rating	16A 125VAC, 10A 250VAC  US	Mounting Hole	Diagram
	10A 125VAC, 6A 250VAC CQC		
	10(4)A 250V~  		
Contact Resistance	50m ohm Max.		
Insulation Resistance	DC 500V 100M ohm Min.		
Dielectric Strength	AC 1500V 1 minute		
Operation Temperature	-20°C~85°C		
Switch Function	2P SPST ON-OFF		

*Material

Frame: Nylon#66+33%GF, Black

Actuator: Nylon#66, Bi-color, Black & Red

Terminal: Copper alloy, Silver plated



Date	Name	Description			NO	
Drawn	Checked	Approved	SCI BOM No.	Model Name	ROCKER SWITCH	
			Customer No.	7500074	Model No.	R13-135A2-02
01/15/'10	02/06/'10	02/22/'10	Unit	mm		REV. 1