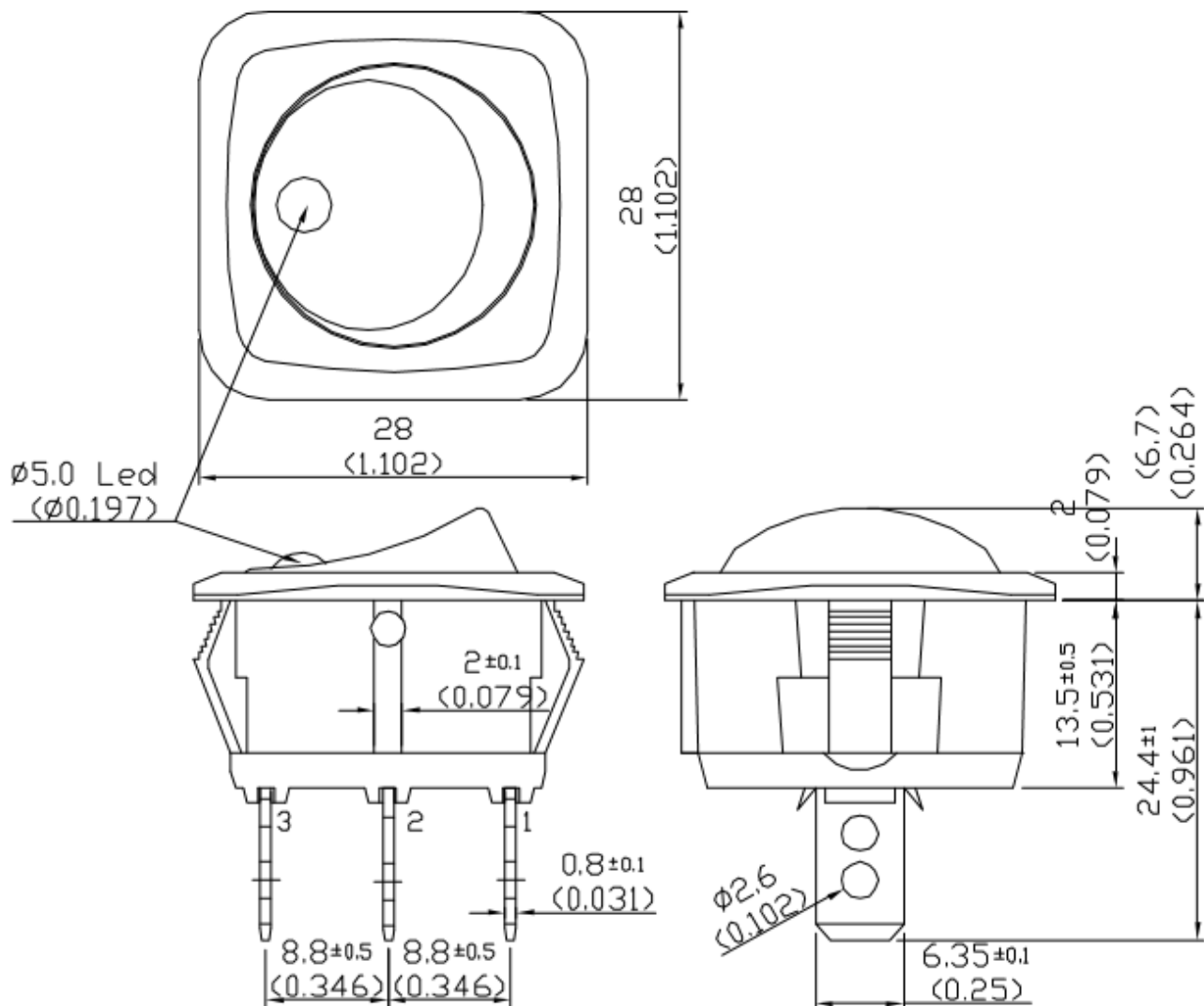


Rating	25A 12V DC	Mount Hole	Circuit Structure
Contact R	50m ohm Max.		
Insulation R	DC 500V 100M ohm Min.		
Dielectric Strength	AC 1500V 1 minute		
Circuit	3P SPST ON-OFF With LED indicator		
Operating Temperature	-20°C~70°C		
Storage Temperature	-20°C~70°C		



Tolerance ± 0.3 excepte noticed.

C1\CALTERM\40600

\triangle	Date	Name	Descriptions				
Drawing	Check	Approval	DELCTY P/N	7500700	SCI No.		
					Model No.	R13-203L 12V	
			Unit	mm (inch)			