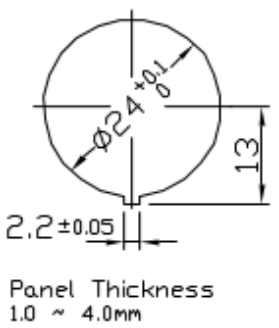
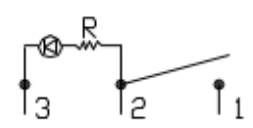
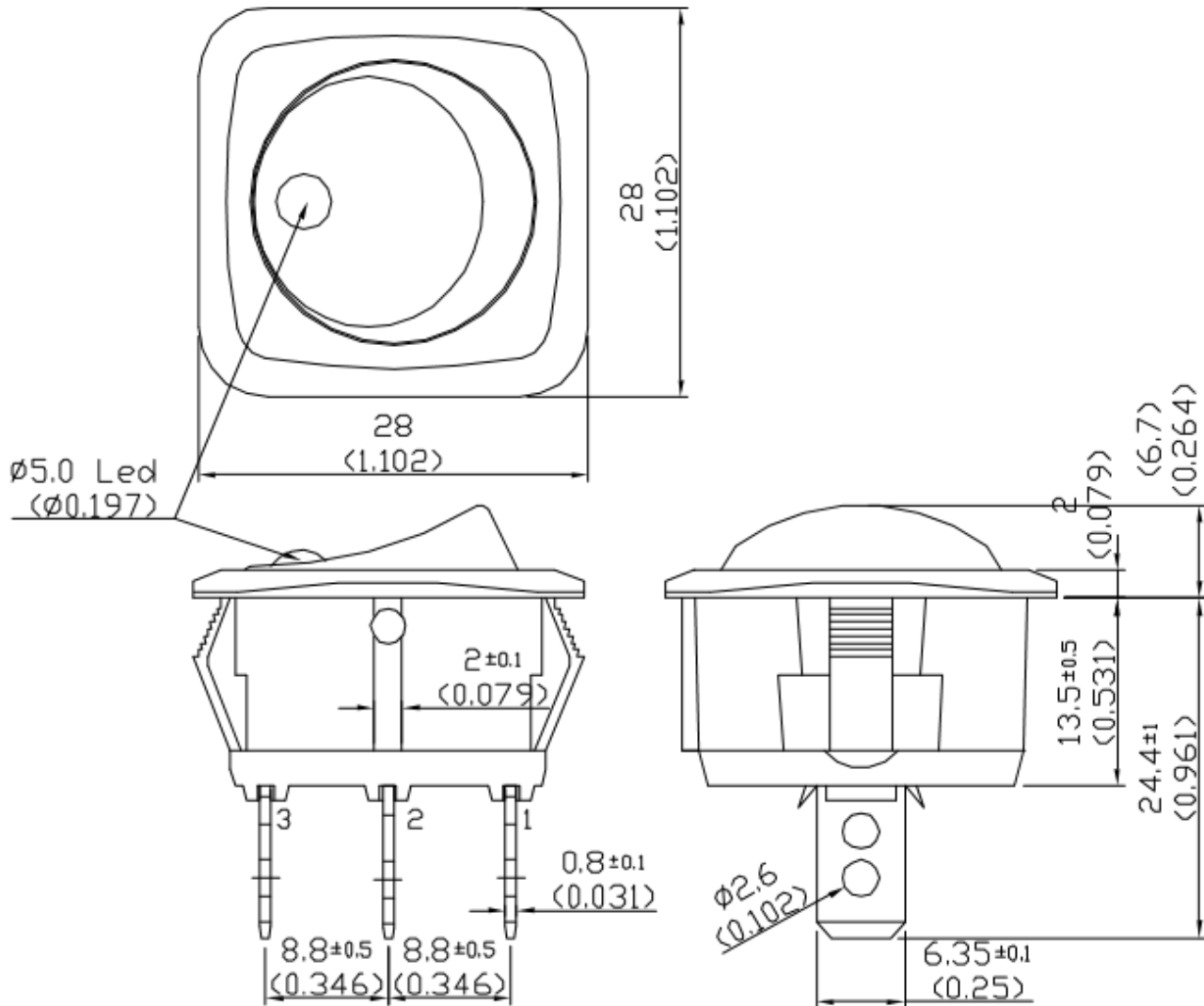


Rating	25A 12V DC	Mount Hole	Circuit Structure
Contact R	50m ohm Max.		
Insulation R	DC 500V 100M ohm Min.		
Dielectric Strength	AC 1500V 1 minute		
Operating Temperature	-20°C ~ 65°C		
Circuit	3P SPST ON-OFF With Yellow LED indicator		



Tolerance ± 0.3 excepte noticed.

C1\CALTERM\40601

△		Date	Name	Descriptions		
Drawing	Check	Approval	DELCTY P/N	7500705	SCI No.	
					Model No.	R13-203L 12V
			Unit	mm (inch)		