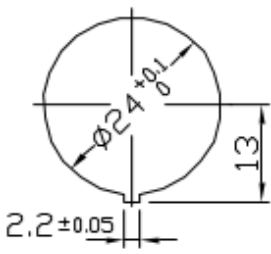
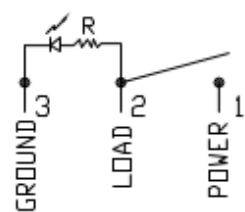
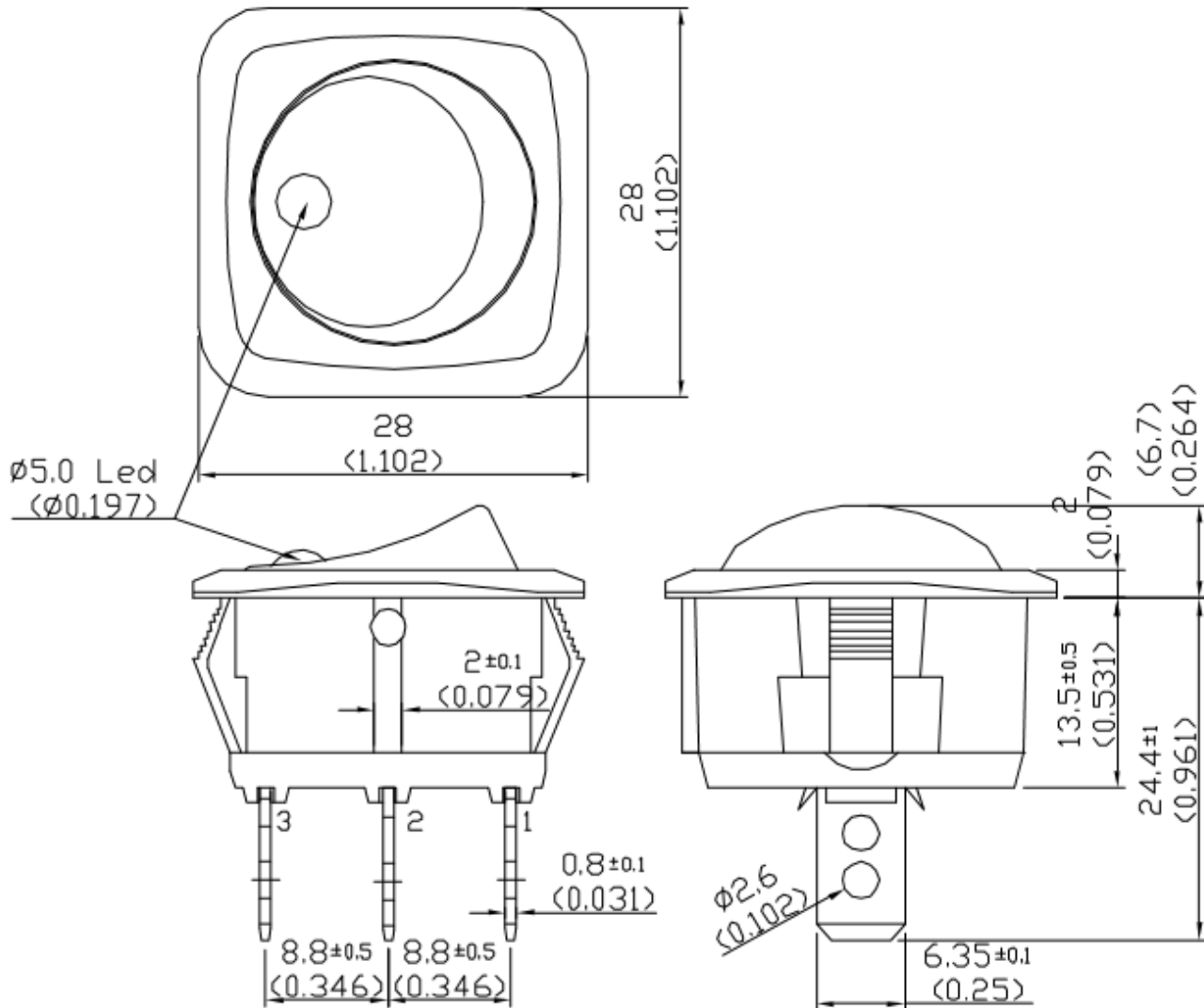


Rating	25A 12V DC	Mount Hole	Circuit Structure
Contact R	50m ohm Max.		
Insulation R	DC 500V 100M ohm Min.		
Dielectric Strength	AC 1500V 1 minute		
Circuit	3P SPST ON-OFF With LED indicator		
Operating Temperature	-20°C~70°C		
Storage Temperature	-20°C~70°C		



Tolerance ± 0.3 excepte noticed.

C1\CALTERM\40600

△		Date	Name	Descriptions		
Drawing	Check	Approval	DELITY P/N	7500715	SCI No.	
					Model No.	R13-203L 12V
			Unit	mm (inch)	SHIN CHIN INDUSTRIAL CO., LTD.	