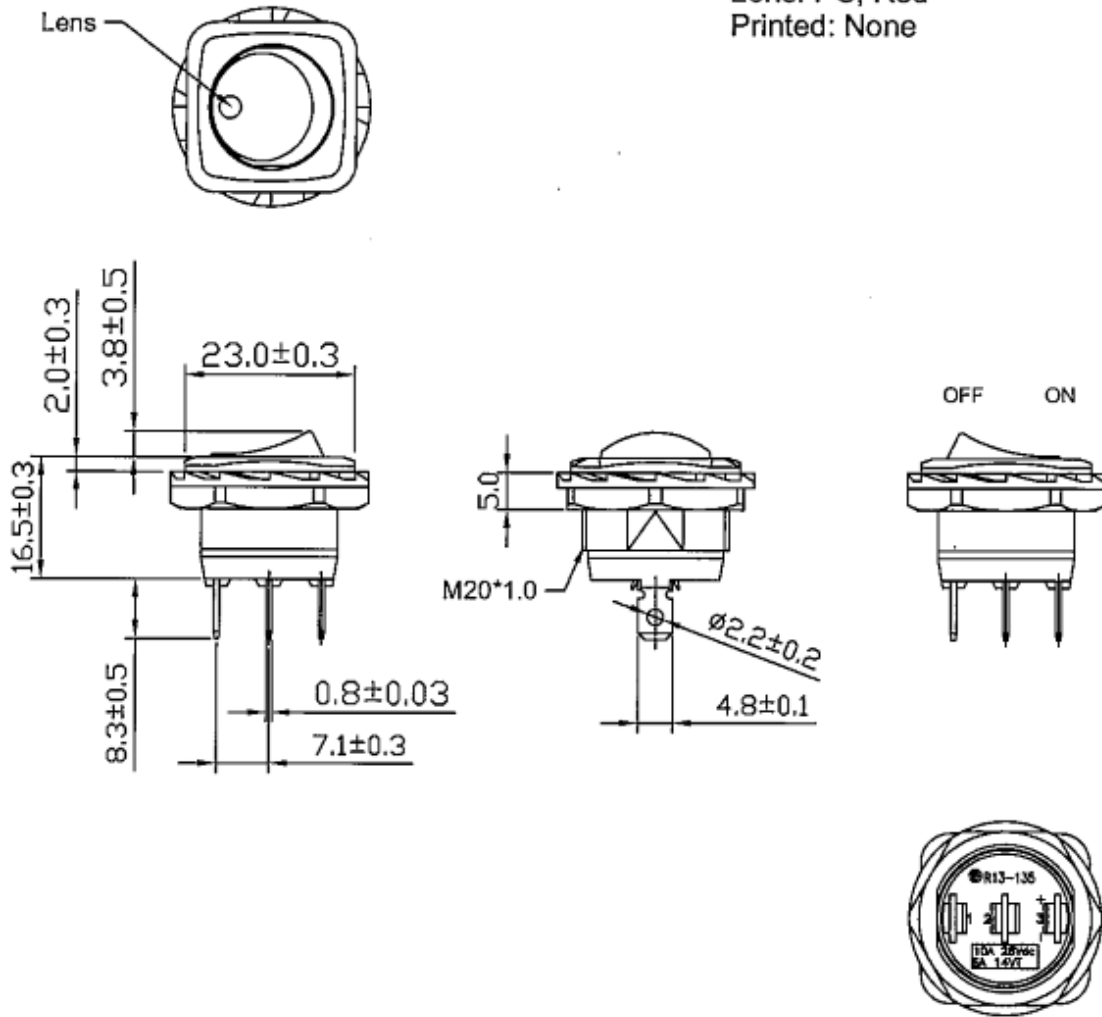


| | | | | |
|-----------------------|--------------------------------|--|-----------------|--|
| Rating | 20A 12VDC | | Circuit Diagram | |
| Contact Resistance | 50m ohm Max. | | | |
| Insulation Resistance | DC 500V 100M ohm Min. | | | |
| Dielectric Strength | AC 1500V 1 minute | | | |
| Operation Temperature | -25°C~85°C | | | |
| Switch Function | 3P SPST ON-OFF (LED dependent) | | | |

Material
 Frame: Nylon#66+33%GF, Black
 Actuator: Nylon#66, Black
 Lens: PC, Red
 Printed: None



C8IR13IR13-135B2-02(1821464)

| | | | | | | |
|--|--|--------------|---------|------------|---------------|------|
| | | | | Model Name | ROCKER SWITCH | |
| | | DEL CITY P/N | 7510000 | Model No. | R13-135B2-02 | Rev. |
| | | Unit | mm | | | 0 |