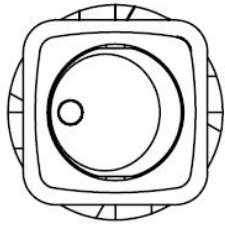
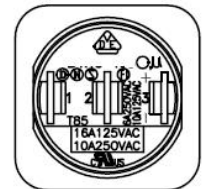
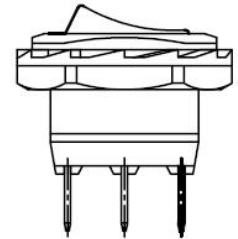
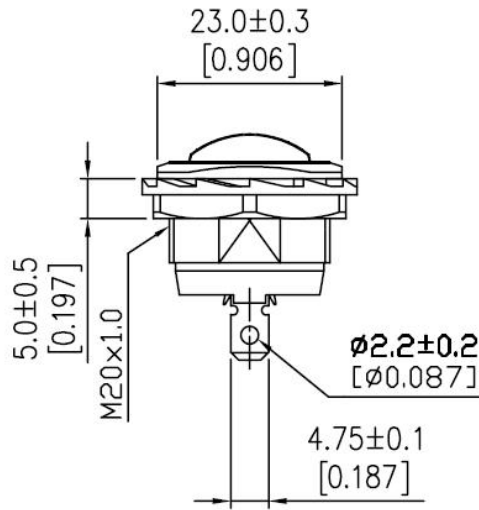
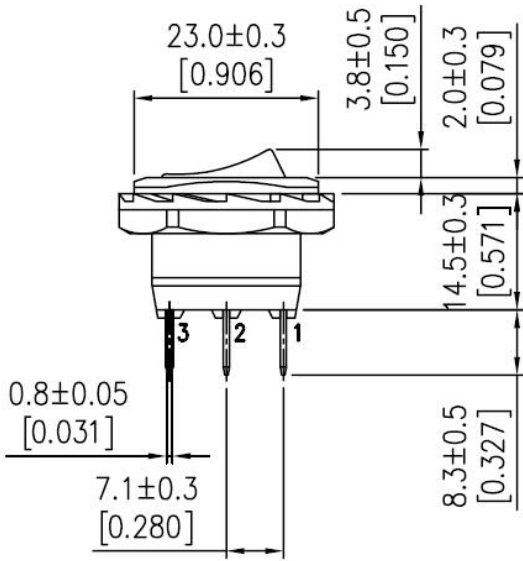


Rating	20A 12VDC		Diagram		
Contact Resistance	50m ohm Max.		OFF		
Insulation Resistance	DC 500V 100M ohm Min.				
Dielectric Strength	AC 1500V 1 minute				
Operation Temperature	-20°C~85°C				
Circuit	3P SPST ON-OFF (LED)				



Material:  
 Frame: Nylon#66+33%GF, Black  
 Actuator: Nylon#66, Black  
 LED: Green  
 Printed: None



C8\DELACITY\7510010

Drawing								△
Date	Check	Descriptions						△
04/17/'07	04/18/'07		DELACITY P/N	7510010	Model Name	ROCKER SWITCH		NO