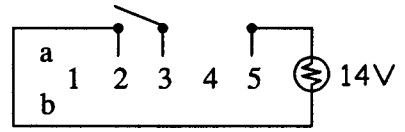
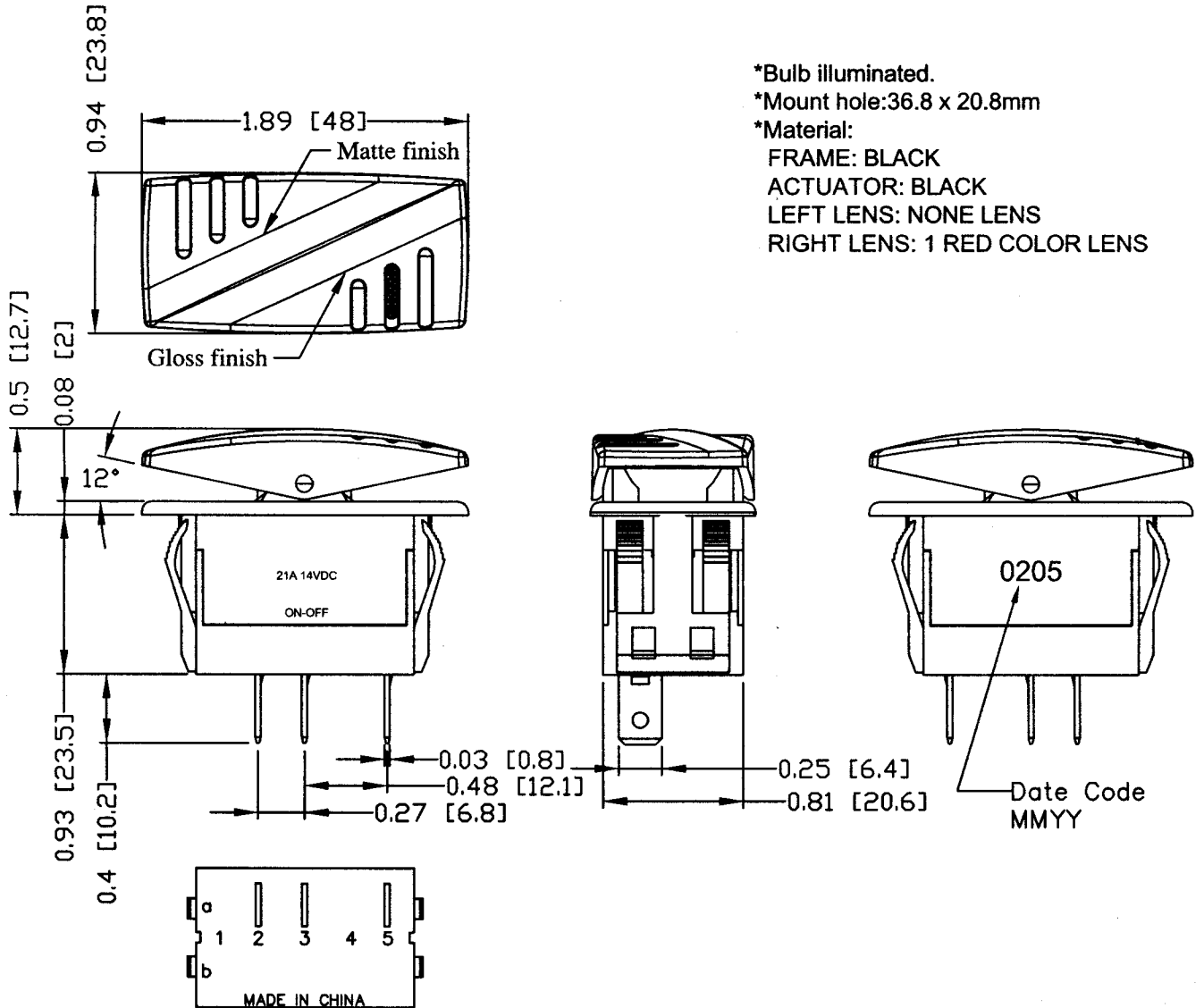


Rating	21A 14VDC	Circuit Structure
Contact R	50m ohm Max.	
Insulation R	DC 500V 100M ohm Min.	
Dielectric Strength	AC 1500V 1 minute	
Operation temp.	-20°C ~ +85°C	



3P SPST ON-OFF

- \*Bulb illuminated.
- \*Mount hole: 36.8 x 20.8mm
- \*Material:
- FRAME: BLACK
- ACTUATOR: BLACK
- LEFT LENS: NONE LENS
- RIGHT LENS: 1 RED COLOR LENS



▲	02/14/'05					REV.	
▲	Date	Name	Descriptions				
Drawing	Check	Approval	Delcity No.	7600042	Model Name		
			Customer No.		Model No.		
02/14/'05			Unit	inch (mm)			