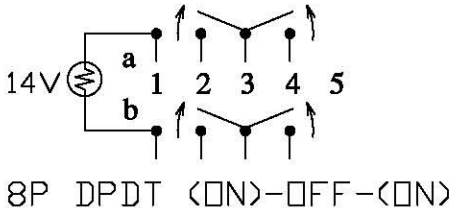
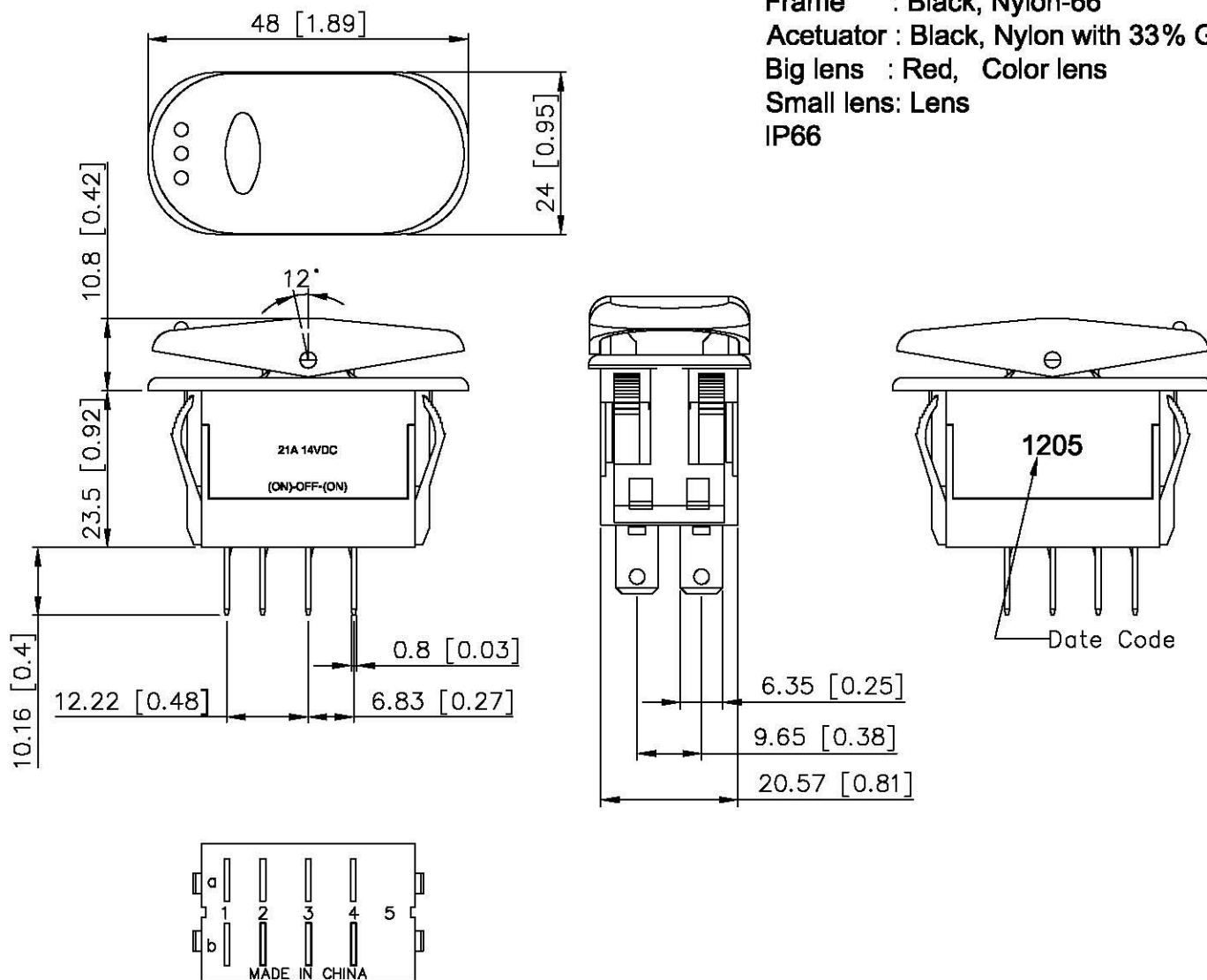


Rating	21A 14VDC	Circuit Diagram 
Contact R	50m ohm Max.	
Insulation R	DC 500V 100M ohm Min.	
Dielectric Strength	AC 1500V 1 minute	
Operation Temperature	-20°C ~ +65°C	

Material
 Frame : Black, Nylon-66
 Acetuator : Black, Nylon with 33% GF
 Big lens : Red, Color lens
 Small lens: Lens
 IP66



									△
									△
Date	Name	Descriptions					REV.	0	NO
Drawing	Check	Approval				Model Name			
			Delcity No.	7600044		Model No.			
12/05/'05		12/05/'05	Unit	mm/inch		