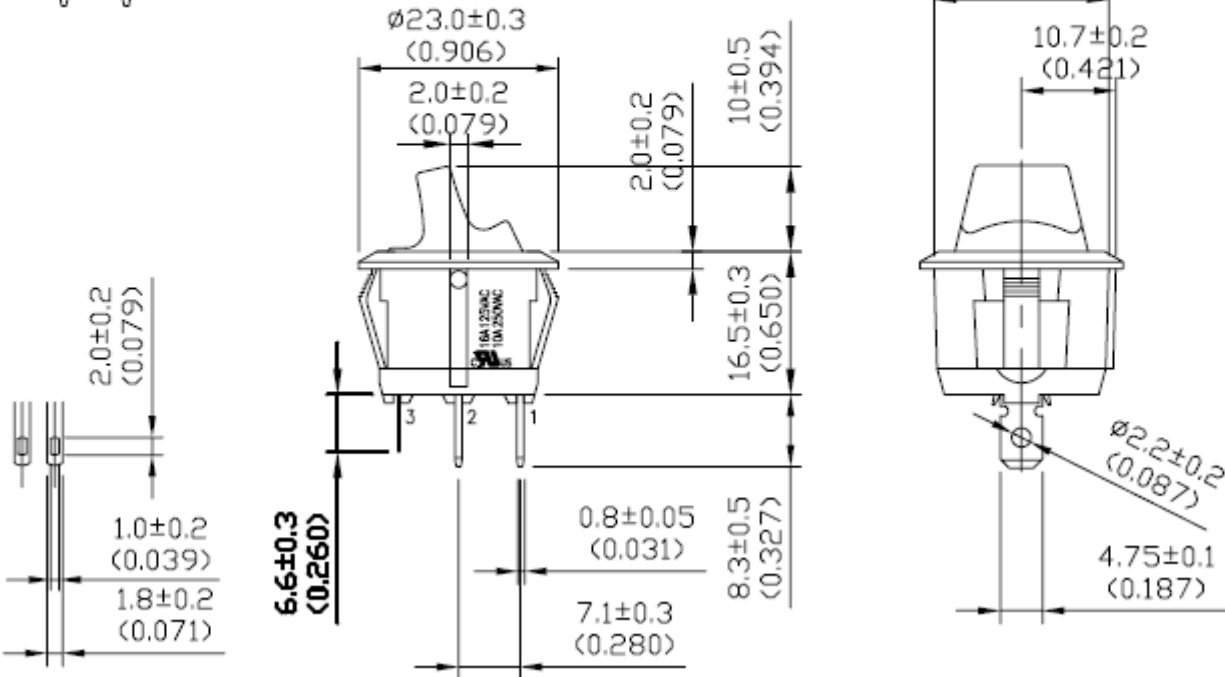
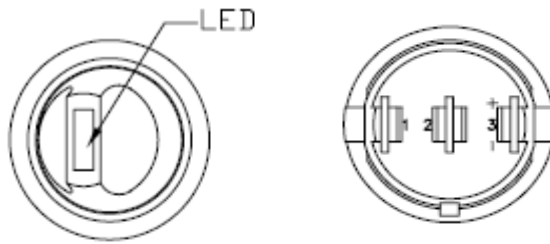
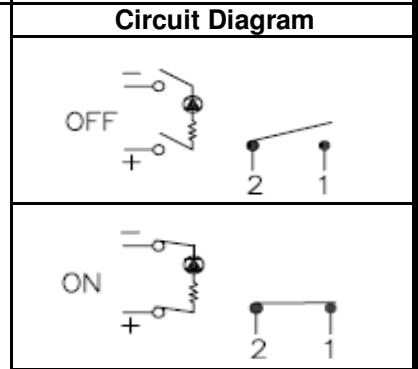
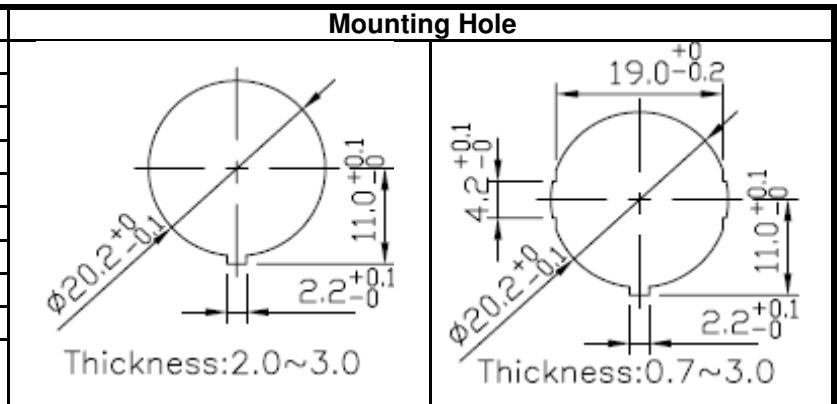


Rating	20A 12V DC
Contact R	50m ohm max.
Insulation R	DC 500V 100M ohn Min.
Voltage Breakdown	AC 1500V 1 minute
Operating Temp.	-20°C to -85°C
Circuit	4P SPST ON-OFF (LED)
Material:	
Frame:	Nylon 6/6, Black
Actuator:	Nylon 6/6, Black
LED Color	RED



**Uncontrolled Copy**

Drawing	Check	Approval		LED Paddle Toggle
2/14/2007	2/14/2007	2/15/2007		Date: 6/15/2009 <b>PART NO:</b> 7600500