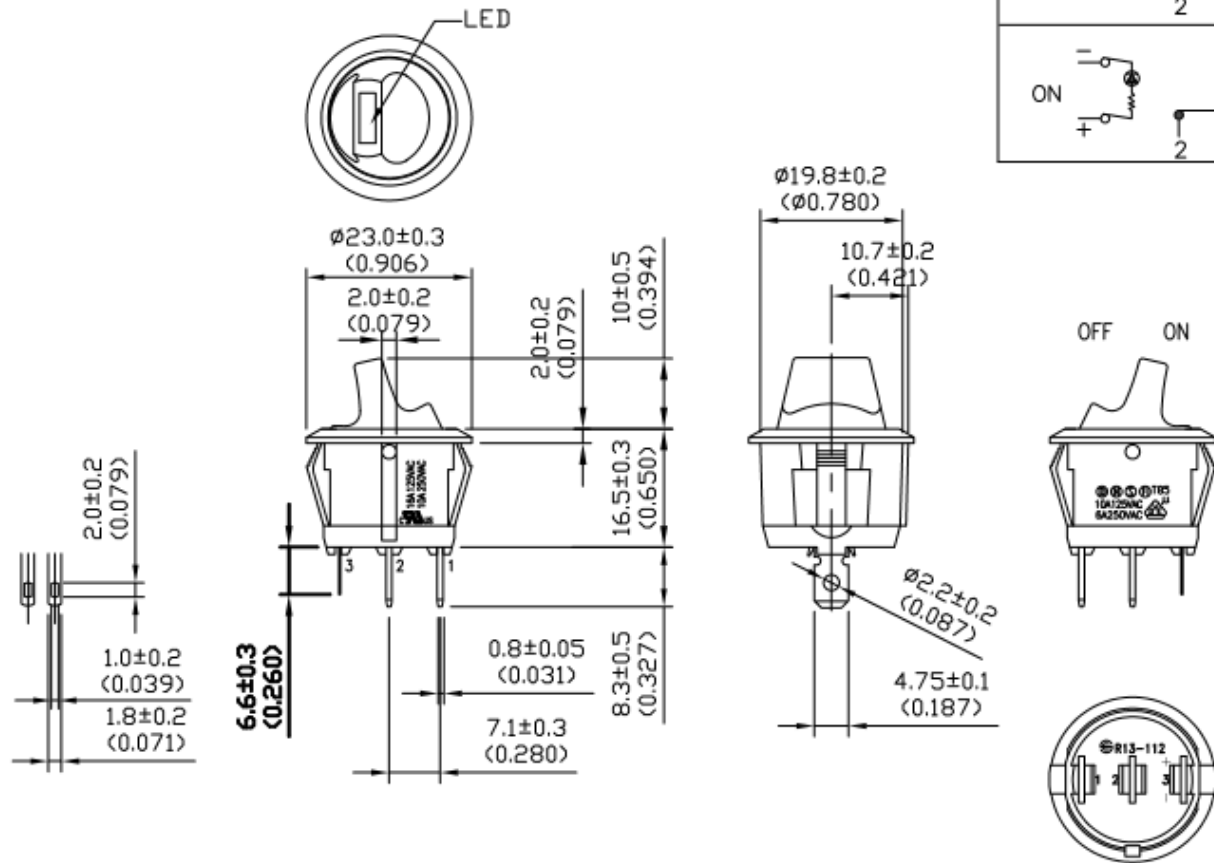
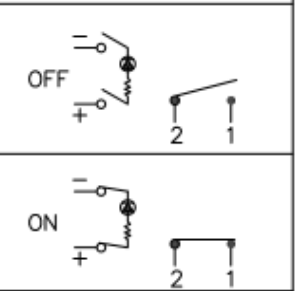


Rating	20A 12VDC	<div style="display: flex; justify-content: space-around;"> <div style="text-align: center;"> <p>Thickness: 2.0~3.0</p> </div> <div style="text-align: center;"> <p>Thickness: 0.7~3.0</p> </div> </div>
Contact R	50m ohm Max.	
Insulation R	DC 500V 100M ohm Min.	
Voltage Breakdown	AC 1500V 1 minute	
Operation Temperature	-20°C~85°C	
Circuit	4P SPST ON-OFF (LED)	

Material:
Frame: Nylon# 66, Black
Actuator: Nylon# 66, Black
LED: Green

Circuit Diagram



C8\DEL CITY\7600505

								△
								△
Date	Name	Description						NO
Drawing	Check	Approval	SCI No.	1811833	Model Name	TOGGLE SWITCH		
曹盈芳	王佰山	李景煌	DEL CITY P/N	7600505	Model No.	R13-112LP-02		
02/14/'07	02/14/'07	02/15/'07	Unit	mm	SHIN CHIN INDUSTRIAL CO., LTD.			