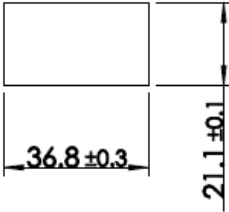
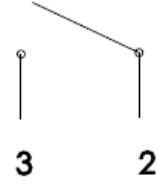
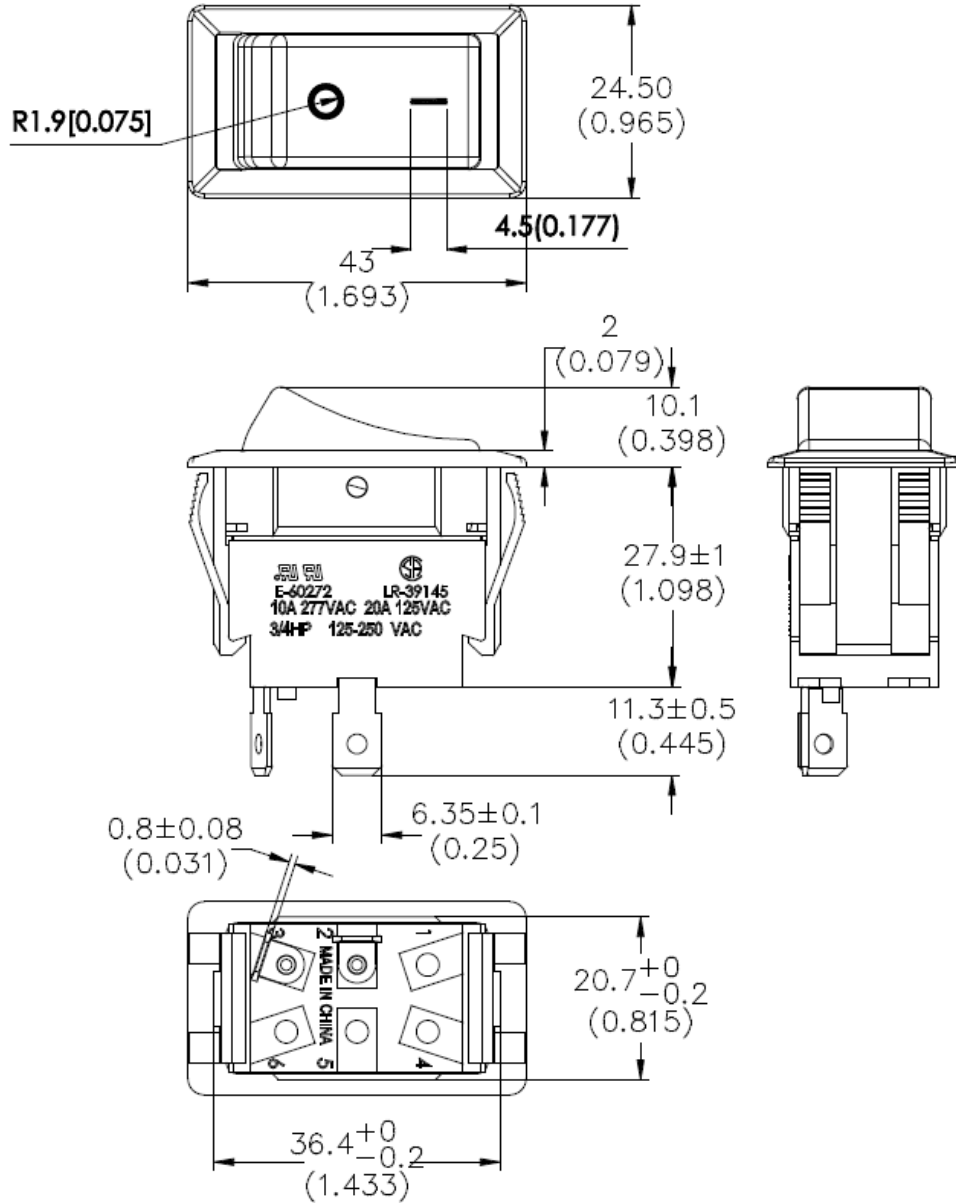


Rating	20A 125VAC/10A 277VAC 3/4HP 125-250VAC	Mount Hole	Circuit Structure
Contact R.	50m ohm Max.		
Insulation R.	DC 500V 100M ohm Min.		
Dielectric Strength	AC 1500V 1minute		
Circuit	2P SPST ON-OFF		

Operation Temperature: -20°C~85°C



△	DATE	Name	Descriptions	
DRAWN	CHECKED		DELCITY P/N	7700061
			