
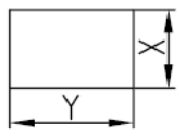
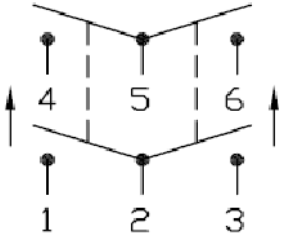
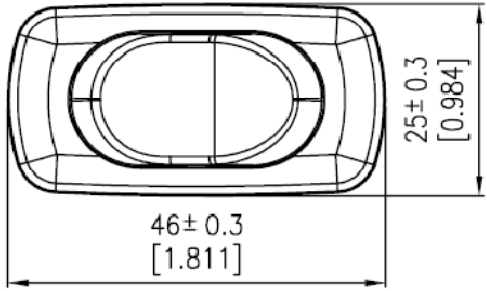
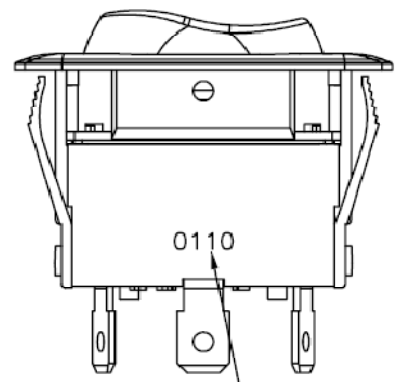
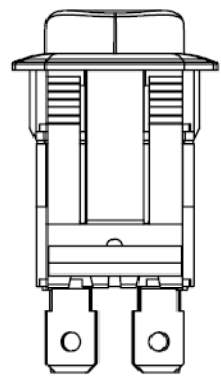
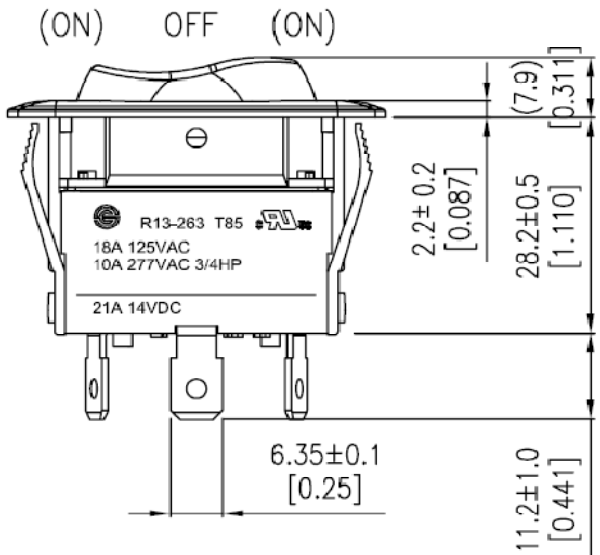


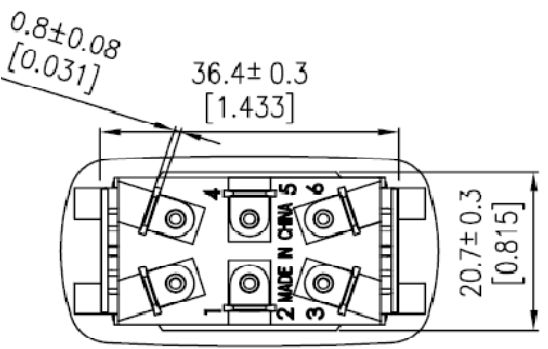
Rating	16A 12VAC		Mounting Hole 	Circuit Diagram 												
	10A 277VAC 3/4HP															
Contact R	50m ohm Max.															
Insulation R	DC 500V 100M ohm Min.															
Dielectric Strength	AC 1500V 1 minute															
Operating Temp.	-20°C to 85°C															
Circuit	6P DPDT (ON)-OFF-(ON)															
			<table border="1"> <thead> <tr> <th>Thickness</th> <th>X</th> <th>Y</th> </tr> </thead> <tbody> <tr> <td>0.75~1.25</td> <td>21.2+0.1</td> <td>36.6+0.1</td> </tr> <tr> <td>1.25~2</td> <td>21.2+0.1</td> <td>36.8+0.1</td> </tr> <tr> <td>2~3</td> <td>21.2+0.1</td> <td>37.0+0.1</td> </tr> </tbody> </table>	Thickness	X	Y	0.75~1.25	21.2+0.1	36.6+0.1	1.25~2	21.2+0.1	36.8+0.1	2~3	21.2+0.1	37.0+0.1	
Thickness	X	Y														
0.75~1.25	21.2+0.1	36.6+0.1														
1.25~2	21.2+0.1	36.8+0.1														
2~3	21.2+0.1	37.0+0.1														



Material:
 Frame: Black, Nylon#66
 Actuator: Black, Nylon#66
 Printed: None
 Water proof and dust proof to fit IP-56



DATE CODE



Uncontrolled Copy

Drawing	Check	Approval	Description	Euro Style Rocker Switch	
1/15/2010			Date: 4/1/2010	PART NO:	7700325