

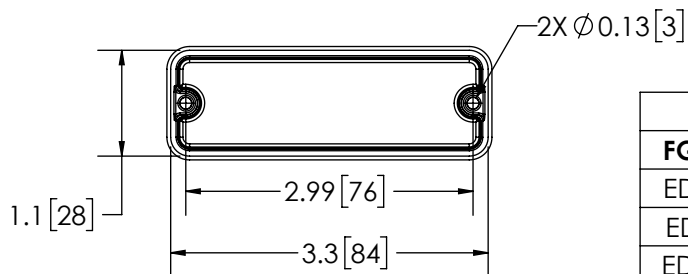
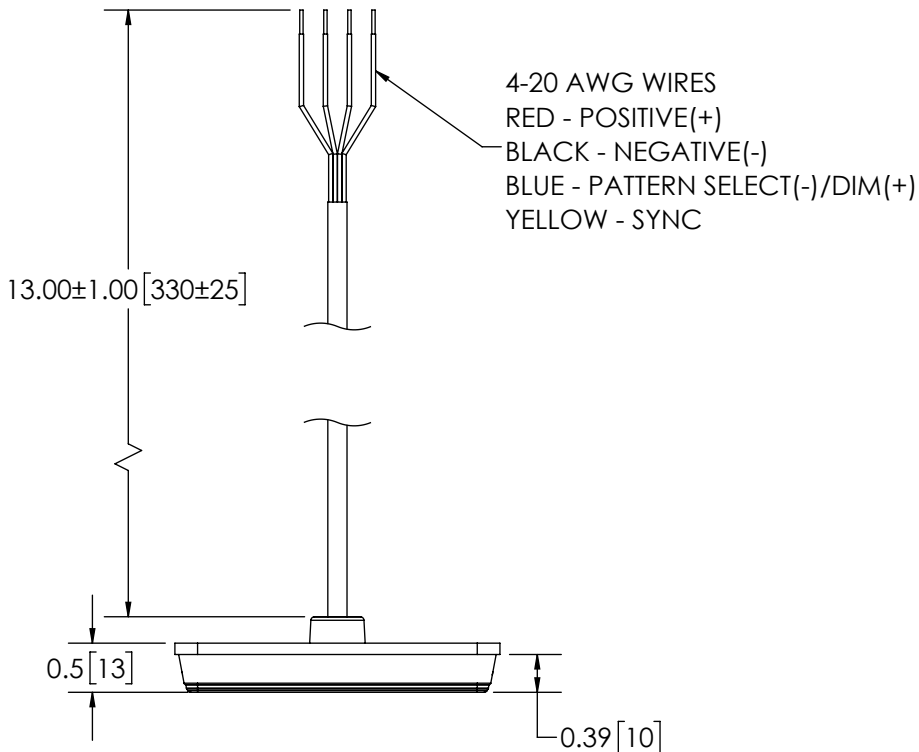
REVISION HISTORY		
REV.	DESCRIPTION	DATE
03	REVISED PER EL0237	2021-11-01
04	REVISED PER EL0237	2021-11-08
A	INITIAL RELEASE PER EL0237	2022-02-21

SPECIFICATIONS

- CERTIFICATIONS: ECE R10; AMECA/SAE J595 (MARCH 2014)(SEE CHART); CA Title 13 (SEE CHART) ; Reg 65 CertE6 XA1 000422;

Note: Unique components, accessories, and hardware kits are not typically included in the Product Certification Test Protocols. Unless otherwise Specified, the Product Certifications referred to herein are predicated upon the base product model configuration.

- FLASH MODE: SINGLE : 75 ± 5 FLASHES PER MINUTE
SINGLE : 120 ± 5 FLASHES PER MINUTE
DOUBLE : 75 ± 5 FLASHES PER MINUTE
- VOLTAGE (NOMINAL): 12-24 VDC
- VOLTAGE (EXTREME): 9.0-32 VDC
- CURRENT (PEAK): SEE CHART (@ 12 VDC NOMINAL)
- POWER (MAXIMUM): SEE CHART (@ 12 VDC NOMINAL)
- TEMPERATURE RANGE: -40°F (-40°C) TO 149°F (65°C)
- CONNECTION: 4 - 20 AWG WIRES
- MOUNTING: 2 BOLT
- BASE MATERIAL: ALUMINUM
- LENS MATERIAL: POLYCARBONATE
- PRODUCT WEIGHT: 0.11 LBS (0.05 Kg)



MOUNTING DISCLAIMER
MOUNTING MEASUREMENT IS FOR REFERENCE ONLY.
MEASURE BEFORE DRILLING.

- NOTES:
1. DIMENSIONS IN INCHES[MILLIMETERS (FOR REFERENCE)]

FGS. PRODUCT CHART					
FGS. NO.	COLOR	CURRENT (PEAK) A	POWER (MAX) W	J595 (MAR 2014)	TITLE 13
ED3511A	AMBER	0.69	8.8	CLASS 1	CLASS B
ED3511B	BLUE	1.37	17.6	CLASS 1	CLASS B
ED3511G	GREEN	1.09	13.9	-	-
ED3511R	RED	1.26	16.1	CLASS 1	CLASS B
ED3511W	WHITE	1.36	17.4	CLASS 1	-

SCALE 1:2		APPROVALS	DATE
CAD GENERATED DRAWING DO NOT MANUALLY UPDATE.		DRAWN BY JW	2021-11-08
TOLERANCES ARE IN INCHES, AND MILLIMETERS TOLERANCES UNLESS OTHERWISE STATED ARE:		CHECKED ABD	2021-11-09
MILLIMETERS DECIMALS XX. ± 1.0mm XX.X ± 0.5mm		MECH. ENG. JLA	2021-11-08
INCHES DECIMALS X.X ± 0.1 X.XX ± 0.04 X.XXX ± 0.02		ELEC. ENG. SPO	2021-11-11
ANGLES ± 0.5° FRACTIONS ± 1/64		TEST ENG. WH	2022-02-21
THIRD ANGLE PROJECTION		SALES.	
<small>THIS DRAWING AND THE DESIGN AND OTHER INFORMATION DISCLOSED HEREIN ARE THE PROPERTY OF ELECTRONIC CONTROLS COMPANY AND/OR ITS ECCO SAFETY GROUP AFFILIATES ("ECCO") AND IS ISSUED IN CONFIDENCE TO RECIPIENT FOR ENGINEERING INFORMATION PURPOSES ONLY. THIS DRAWING AND THE DESIGN AND OTHER INFORMATION DISCLOSED HEREIN MAY NOT BE USED, COPIED, REPRODUCED OR OTHERWISE DISCLOSED IN PART OR IN WHOLE TO THIRD PARTIES OR USED FOR ANY OTHER PURPOSE WITHOUT PRIOR ECCO WRITTEN CONSENT. ECCO RESERVES ALL PATENT, COPYRIGHT, TRADEMARK AND OTHER PROPRIETARY RIGHTS TO THIS DOCUMENT, INCLUDING ALL DESIGN, MANUFACTURING, REPRODUCTION, USE AND SALES RIGHTS THERETO. THIS DRAWING IS SUBJECT TO RECALL BY ECCO AT ANY TIME, AND YOUR POSSESSION AND/OR USE CONSTITUTES ACCEPTANCE OF THESE TERMS. ©2021 ELECTRONIC CONTROLS COMPANY</small>		Americas (800) 635-5900 Europe +44 (0)113 237 5340 Asia Pacific +61 (0)3 63322444 DIRECTIONAL, LOWPROF, 12LED, 12-24V, SC CUSTOMER PART NO. SEE CHART	
PROPRIETARY AND CONFIDENTIAL INFORMATION Electronically Controlled Use Latest Copy		SIZE: A DWG. NO. ED3511X SHEET 1 OF 1	DATE: 2021-06-18 Project: EL0237 Date Created: 2021-06-18