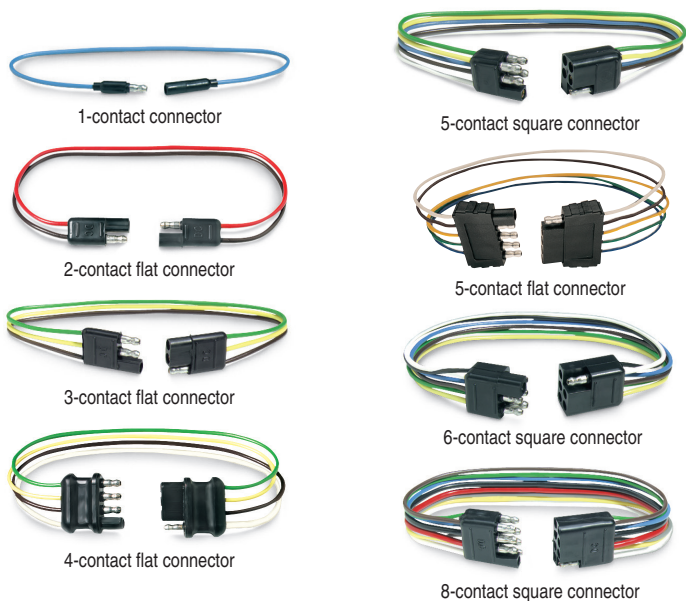


Molded Connectors With Loop

Molded Connectors with a Loop

Molded trailer connectors are manufactured with a loop of 16 gauge copper primary wire between a male and female end, except 8-contact which are manufactured with 3–12 gauge and 5–16 gauge copper wires. Four-contact, flat connectors are molded with an Easy Grip® for fast and easy disconnects. Loop may be cut to the desired length for splicing into a wiring assembly. RoHS.



SPECIAL NOTE

If our catalog does not have the correct wire color or gauge size needed for your application, a custom molded connector can be manufactured to your specification. Minimum order quantities will apply.

Color Chart

contacts	male end	wire colors	female end
1	1	1. blue	1
2	1 2	1. brown 2. red	1 2
3	1 2 3	1. green 2. yellow 3. brown	1 2 3
4 flat	1 2 3 4	1. green 2. brown 3. brown 4. white	1 2 3 4
4 square	3 4 1 2	1. green 2. brown 3. yellow 4. white	1 2 3 4
5 square	3 4 5 1 2	1. green 2. blue 3. yellow 4. brown 5. white	1 2 3 4 5
5 flat	1 2 3 4 5	1. blue 2. green 3. yellow 4. brown 5. white	1 2 3 4 5
6	4 5 6 1 2 3	1. yellow 2. brown 3. white 4. green 5. blue 6. black	1 2 3 4 5 6
8	5 6 7 8 1 2 3 4	1. green 2. blue 3. gray 4. yellow 5. brown 6. black 7. red 8. white	1 2 3 4 5 6 7 8

red, white, black wires = 12 gauge; green, blue, brown, yellow, gray = 16 gauge